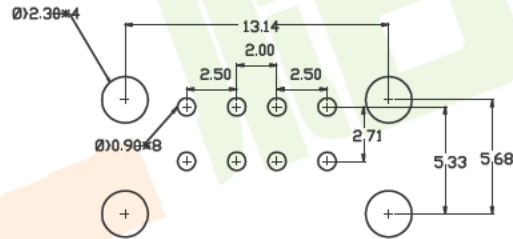
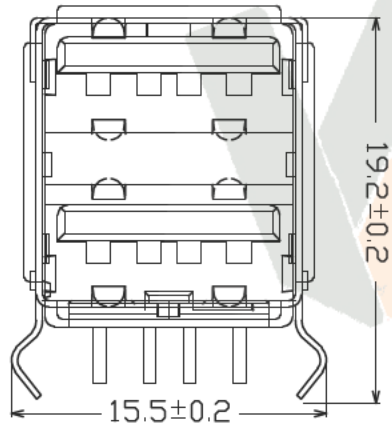
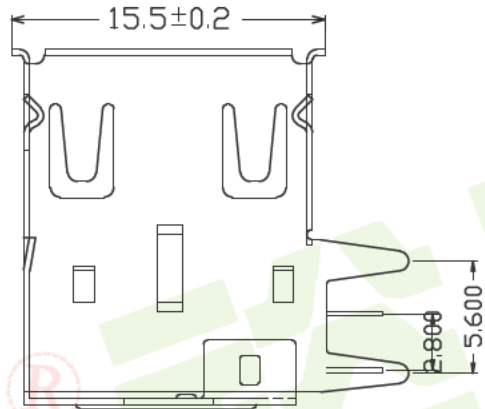
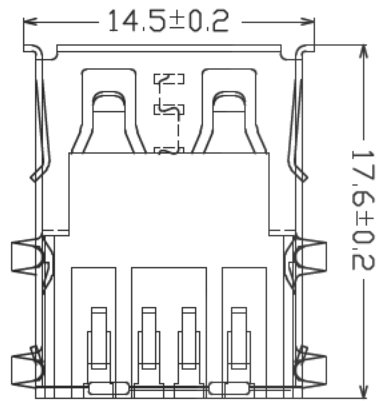


符合RoHS环保要求



1. Material:

Contacts: Phosphore
Bronze
insulator: PBT+30%
G. F. UL 94V-0
Shell: SPCC

2. Mechanical:

Mating: 35N max.
Withdraw Force: 10N min.
Durability: 1500 cycles min.

3. Electrical:

Current-max (amps) 1.5A
Voltage-max (volts) 30V
Withstanding Voltage 750V AC
Contact Resistance (ohms) 30
milliohms max insulation
Resistance (ohms) 1000 Megohms
min.

4. Plating:

Contacts: Gold And Tin Over
Nickel Plated
Shell: Nickel over all plating.

5. Environmental:

temperature Range: -55 to 85 .

公差一览表
TOLERANCE UNLESS OTHERWISE
.X±0.15 X±.5'
.XX±0.05 .X±.2'
.XXX±0.02 .XX±1'

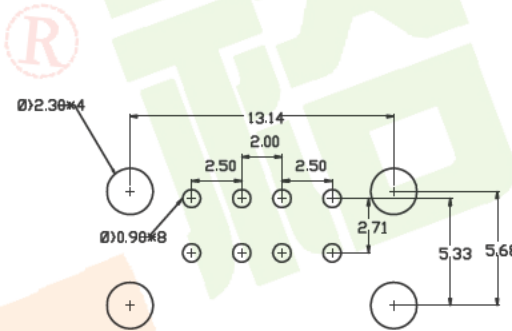
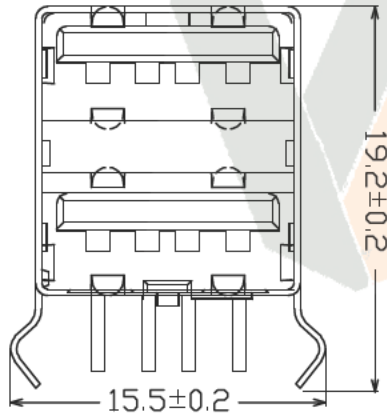
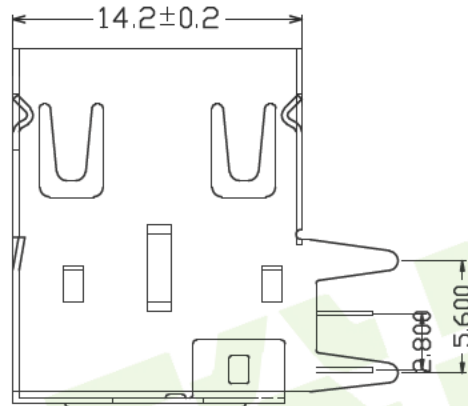
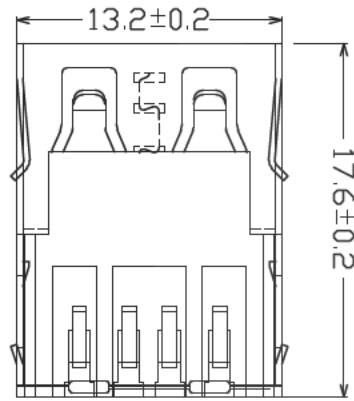
角法
VIEW



深圳市裕诚电子有限公司
SHENZHEN YUCHENG ELECTRONICS CO., LTD

DWG NO.	USB-S176W-J	制图 DRAWING	陈雅	版本 VER	AO
品名 NAME	USB A/F 双层90度卷边弯脚	设计 DESIGN	洪章波	页数 SHEET	001
WEBSITE	www.ycelectron.com	审核 CHECKED	魏杰	比例 SCALE	1:1
成品图 MANUFACTURE DG		日期 DATE	2016.10.20	单位 UNIT	MM

符合RoHS环保要求



1. Material:

Contact: Phosphor Bronze
insulator: PBT+30% G. F. UL 94V-0
Shell: SPCC

2. Mechanical:

Mating: 35N max.
Withdrawal Force: 10N min.
Durability: 1500 cycles min.

3. Electrical:

Current-max (amps): 1.5A
Voltage-max (volts): 30V
Withstanding Voltage: 750V AC
Contact Resistance (ohms): 30 milliohms max
Insulation Resistance (ohms): 1000 Megohms min.

4. Plating:

Contacts: Gold And Tin Over Nickel Plated
Shell: Nickel over all plating.

5. Environmental:

Temperature Range: -55 to 85 .

公差一览表
 TOLERANCE UNLESS OTHERWISE
 .X±0.15 X±5'
 .XX±0.05 .X±2'
 .XXX±0.02 .XX±1'

角法
 VIEW



深圳市裕诚电子有限公司
 SHENZHEN YUCHENG ELECTRONICS CO., LTD

DWG NO.	USB-S176W-Z	制图 DRAWING	陈雅	版本 VER	AO
品名 NAME	USB A/F 双层90度直边弯脚	设计 DESIGN	洪章波	页数 SHEET	001
WEBSITE	www.ycelectron.com	审核 CHECKED	魏杰	比例 SCALE	1 : 1
成品图 MANUFACTURE DG		日期 DATE	2016.10.20	单位 UNIT	MM