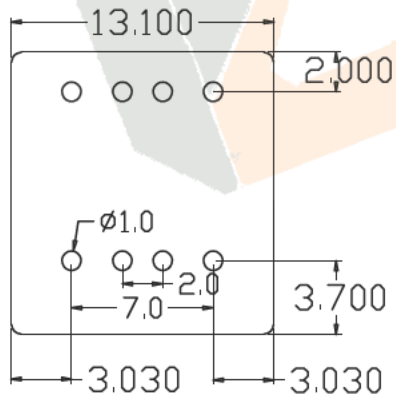
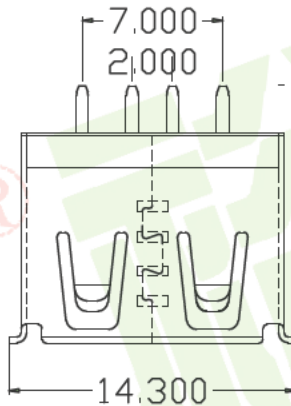
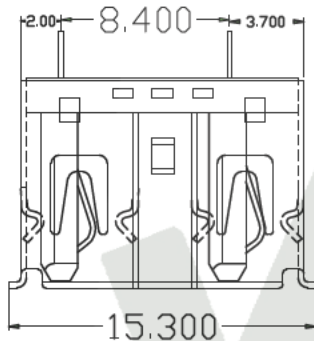
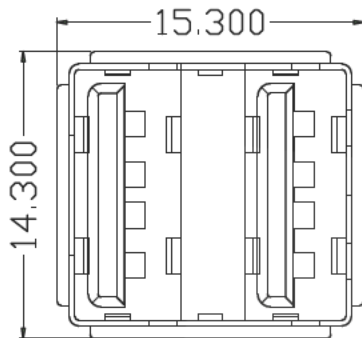


符合RoHS环保要求



1. Material:

Contacts: Phosphore
Bronze
insulator: PBT+30%
G. F. UL 94V-0
Shell: SPCC

2. Mechanical:

Mating: 35N max.
Withdraw Force: 10N min.
Durability: 1500 cycles min.

3. Electrical:

Current-max (amps) 1.5A
Voltage-max (volts) 30V
Withstanding Voltage 750V AC
Contact Resistance (ohms) 30 milliohms max insulation Resistance (ohms) 1000 Megohms min.

4. Plating:

Contacts: Gold And Tin Over
Nickel Plated
Shell: Nickel over all plating.

5. Environmental:

temperature Range: -55 to 85 .

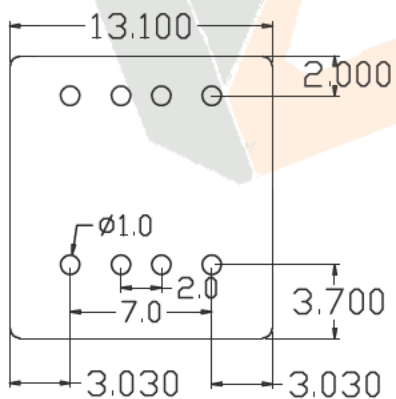
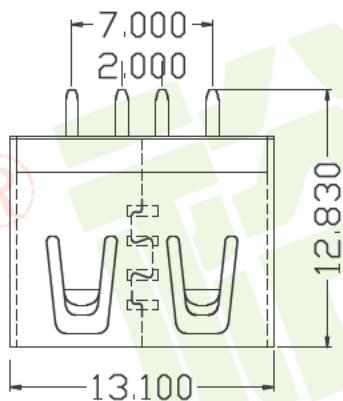
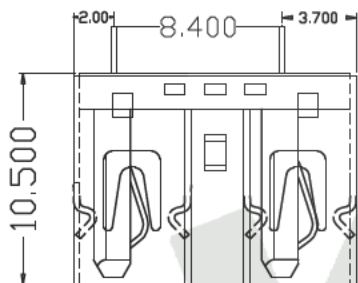
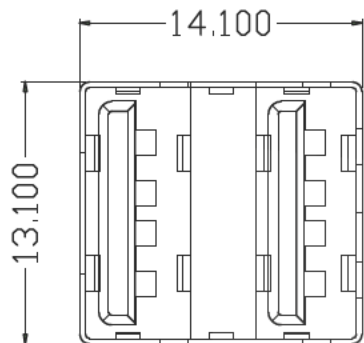
公差一览表
TOLERANCE UNLESS OTHERWISE
.X±0.15 X.±5'
.XX±0.05 .X.±2'
.XXX±0.02 .XX±1'



深圳市裕诚电子有限公司
SHENZHEN YUCHENG ELECTRONICS CO., LTD

DWG NO.	USB-S105J	制图 DRAWING	陈雅	版本 VER	AO
品名 NAME	双层USB短体10.0直插	设计 DESIGN	洪章波	页数 SHEET	001
WEBSITE	www.ycelectron.com	审核 CHECKED	魏杰	比例 SCALE	1:1
成品图 MANUFACTURED		日期 DATE	2016.10.20	单位 UNIT	MM

符合RoHS环保要求



1. Material:

Contacts: Phosphore
Bronze

insulator: PBT+30%

G. F. UL 94V-0

Shell: SPCC

2. Mechanical:

Mating: 35N max.

Withdraw Force: 10N min.

Darability: 1500 cycles min.

3. Electrical:

Current-max (amps) 1.5A

Voltage-max (volts) 30V

Withstanding Voltage 750V AC

Contact Resistance (ohms) 30

milliohms max insulation

Resistance (ohms) 1000 Megohms
min.

4. Plating:

Contacts: Gold And Tin Over

Nickel Plated

Shell: Nickel over all plating.

5. Environmental:

temperature Range: -55 to 85 .

公差一覽表
TOLERANCE UNLESS OTHERWISE
.X±0.15 .X.±5'
.XX±0.05 .X.±2'
.XXX±0.02 .XX±1'



深圳市裕诚电子有限公司
SHENZHEN YUCHENG ELECTRONICS CO., LTD

DWG NO.	USB-S105Z	制图 DRAWING	陈雅	版本 VER	AO
品名 NAME	双层USB短体10.0直插	设计 DESIGN	洪章波	页数 SHEET	001
WEBSITE	www.ycelectron.com	审核 CHECKED	魏杰	比例 SCALE	1 : 1
成品图 MANUFACTURE DG		日期 DATE	2016.10.20	单位 UNIT	MM