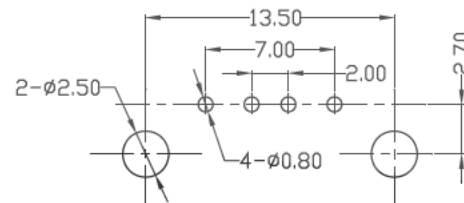
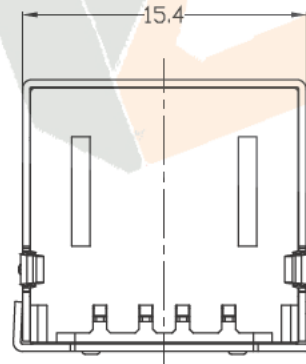
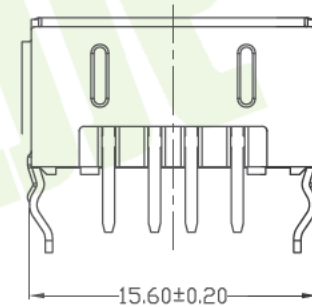
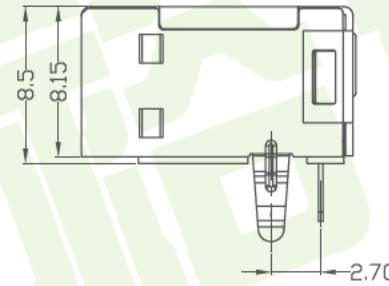
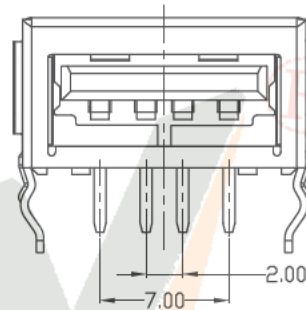
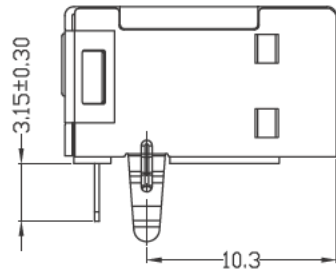
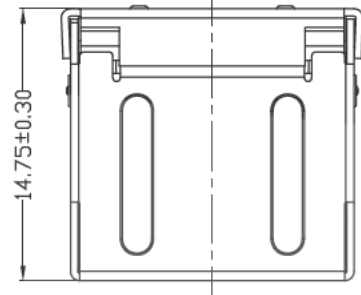


符合RoHS环保要求

- 1: 外壳材质代码: A:黄铜C2680, B:磷铜C5191, D:单光铁, E:双光铁
- 2: 外壳电镀代码: A:镀镍12H, B:镀镍24H, C:镀镍48H, D:镀雾镍, E:镀锡, F:镀雾锡
- 3: 后壳材质及电镀代码: A:SPCC镀镍, B:SPCC镀雾镍, C:SPCC镀锡, D:SPCC镀雾锡, E:黄铜镀镍, F:黄铜镀雾镍, G:黄铜镀锡, H:黄铜镀雾锡
- 4: 中夹片材质及电镀代码: A:SPCC镀锡, B:SPCC镀雾锡, C:SPCC镀锡, D:SPCC镀雾锡, E:黄铜镀镍, F:黄铜镀雾锡, G:黄铜镀锡, H:黄铜镀雾锡, I:磷铜镀镍, J:磷铜镀锡, K:不锈钢, L:不锈钢镀镍
- 5: 胶芯材质代码: A:PBT, B:LCP
- 6: 胶芯颜色代码: 1:白色, 2:黑色, 3:本色
- 7: 端子材质代码: 1:黄铜C2680, 2:磷铜C5191.
- 8: 端子电镀代码: A:半金锡G/F, B:半金锡3u", C:半金锡15u", D:半金锡30u"
- 9: 环保代码: N:非环保, R:ROHS, S:SONY, F:ROHS+无卤

NOTES:

1. MATERIAL SPECIFICATION:
 - 1) HOUSING: THERMOPLASTIC (UL94V-0)
 - 2) SHELL: SEE PART NO. PLATING: NICKEL
 - 3) TERMINAL: COPPER ALLOY PLATING: GOLD/TIN PLATED;
2. ELECTRICAL CHARACTERISTIC:
 - 1) VOLTAGE CURRENT RATING: 1AMP, 30V DC;
 - 2) INSULATION RESISTANCE: 1000MΩ MIN;
 - 3) CONTACT RESISTANCE: 30mΩ MAX;
 - 4) WITHSTANDING VOLTAGE: 500V AC;
3. MECHANICAL:
 - 1) MATING FORCE: 3.5 KG MAX
 - 2) UNMATING FORCE: 1.02 KG MIN.



产品图 PRODUCT CHART DWG		深圳市裕诚电子有限公司 SHENZHEN YUCHENG ELECTRONICS CO., LTD							
公差一览表 TOLERANCE UNLESS OTHERWISE		单位 UNITS	MM	制图 DRAWING	陈雅	制图料号 PRODUCT PART NO.	USB-D147Q		
.X	±0.15	X.	±5'	比例 SCALE	1:1	审核 CHKD	洪章波	产品名称 PRODUCT NO.	USB A/F DIP 90° 单层全包
.XX	±0.05	.X	±2'	日期 DATE	2016.2.5	核准 APPD	魏杰	角法 VIEW	版本 VER
.XXX	±0.02	.XX	±1'	www.ycelectron.com				版本 VER	A□