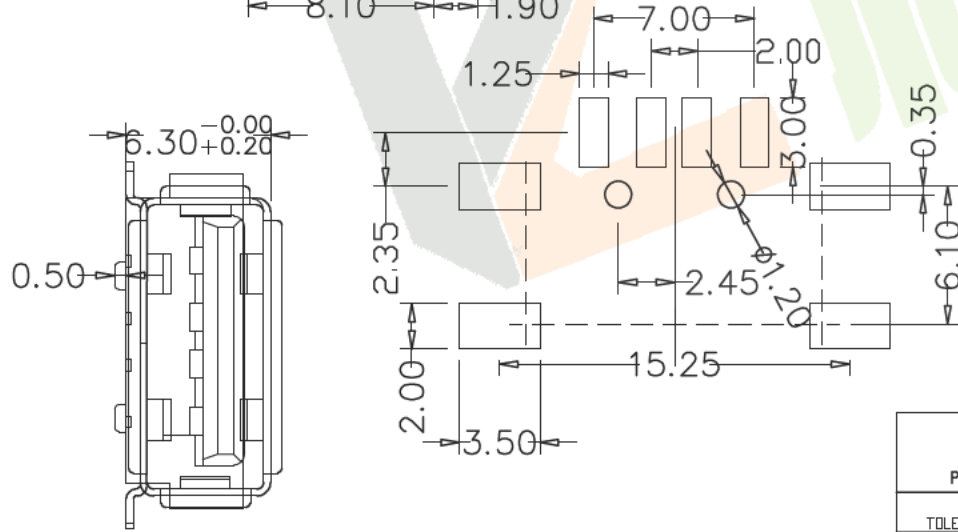
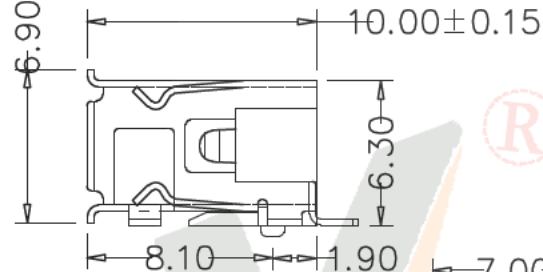
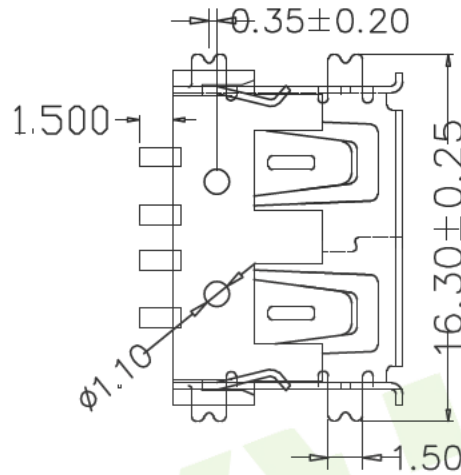
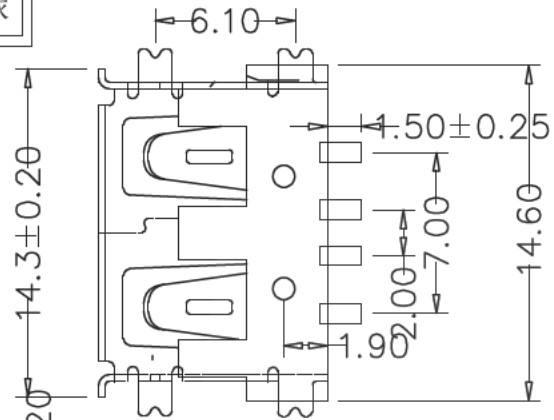


符合RoHS环保要求



规格说明: Specifications:

电气特性: Electrical:

1. 额定电流: Current Rating  
1.5A/contact terminal
2. 额定电压: Voltage Rating  
30V DC
3. 接触阻抗: Contact Resistance  
30 milliohms MAX
4. 耐电压: Dielectric Withstanding Voltage:  
500 V AC AT Sea Level
5. 绝缘阻抗: Insulation Resistance:  
1000MEGA ohms MIN

物理性能: Mechanical:

1. 插拔力: Connector Mate and Unmate Force  
Mate force: 3.57kgf(MAX)  
Unmate force: 1.02kgf(MIN)
2. 端子保持力: Terminal Retention  
1.0kgf(MIN)

原材料: Material:

1. 塑胶: Housing:  
High Temperature Thermoplastics,
2. 端子: Contact: Copper Alloy C2680
3. 外壳: Shell: Copper Alloy C2680/SPCC

电镀: Finish:

1. 端子: Contact: Plated Gold in Mating Area;  
Tin On Solder Talls  
端子四周镀50U”(MIN)锡, 镀金区域镀100-200U”镀金1U”
2. 外壳: Shell:  
铜壳四周镀80U”(MIN)锡  
Nickel Plating

产品图

PRODUCT CHART DWG

公差一览表

TOLERANCE UNLESS OTHERWISE			
.X	±0.15	.X	±5°
.XX	±0.05	.X	±2°
.XXX	±0.02	.XX	±1°

www.ycelectron.com

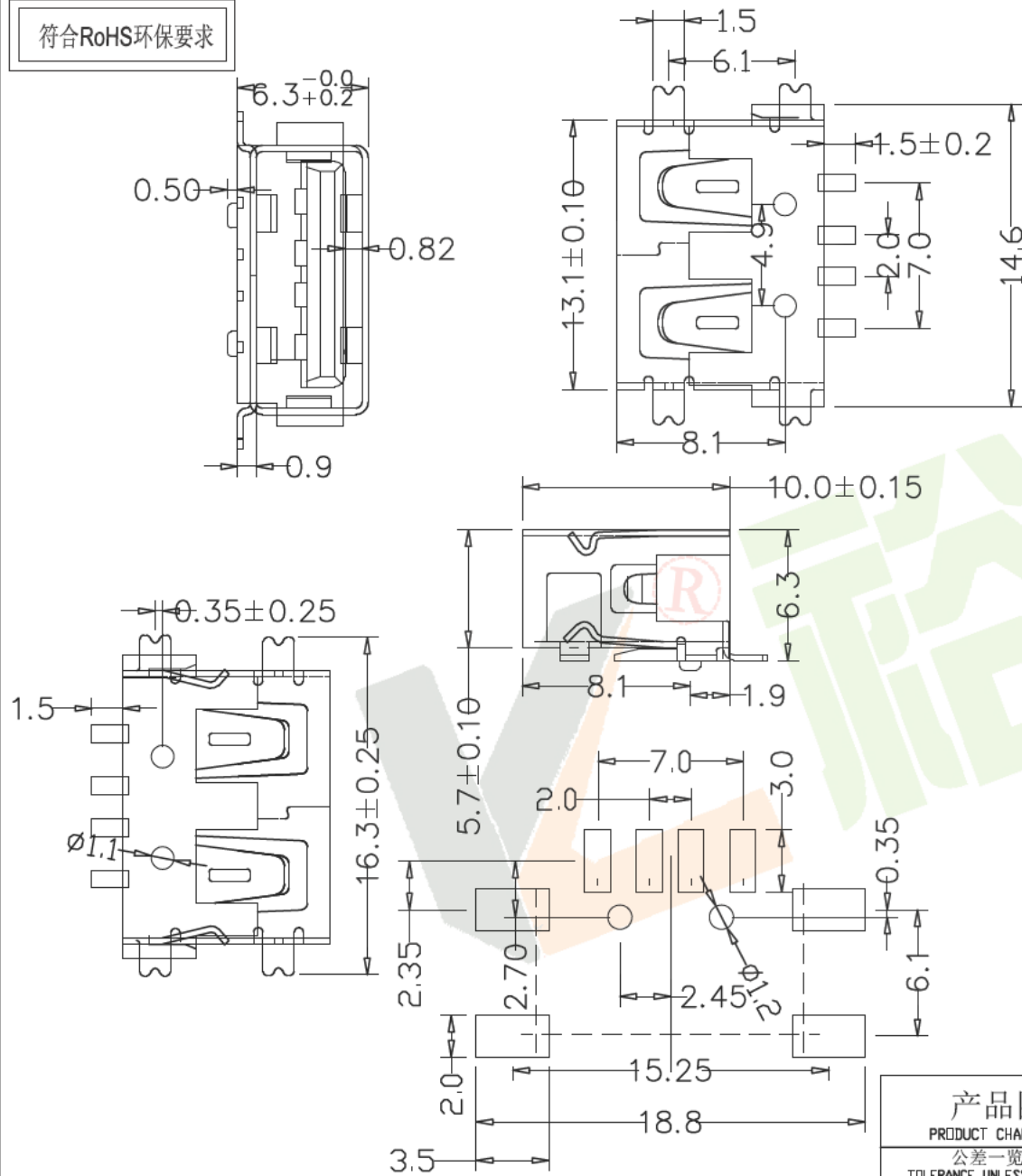


深圳市裕诚电子有限公司

SHENZHEN YUCHENG ELECTRONICS CO., LTD

单位 UNITS	MM	制图 DRAWING	陈雅	制图料号 PRODUCT PART NO.	USB-4T10J
比例 SCALE	1:1	审核 CHKD	洪章波	产品名称 PRODUCT NAME	规格6.3毫米全贴
日期 DATE	2016.2.5	核准 APPD	魏杰	角法 VIEW	版本 VER
					A0

符合RoHS环保要求



规格说明: Specifications:

电气特性: Electrical:

1. 额定电流: Current Rating  
1.5A/contact terminal
2. 额定电压: Voltage Rating  
30V DC
3. 接触阻抗: Contact Resistance  
30 milliohms MAX
4. 耐电压: Dielectric Withstanding Voltage:  
500 V AC AT Sea Level
5. 绝缘阻抗: Insulation Resistance:  
1000MEGA ohms MIN

物理性能: Mechanical:

1. 插拔力: Connector Mate and Unmate Force  
Mate force: 3.57kgf(MAX)  
Unmate force: 1.02kgf(MIN)
2. 端子保持力: Terminal Retention  
1.0kgf(MIN)

原材料: Material:

1. 塑胶: Housing:  
Hing Temperature Thermoplastics,
2. 端子: Contact: Copper Alloy C2680
3. 外壳: Shell: Copper Alloy C2680/SPCC

电镀: Finish:

1. 端子: Contact: Plated Gold in Mating Area;  
Tin On Solder Talls

端子四周镀50U"(MIN)锡, 镀金区域镀100-200U"镀金1U"

2. 外壳: Shell:  
铜壳四周镀80U"(MIN)锡

Nickel Plating

产品图

PRODUCT CHART DWG

公差一览表

TOLERANCE UNLESS OTHERWISE

.X	±0.15	.X	±5'
.XX	±0.05	.X	±2'
.XXX	±0.02	.XX	±1'

www.ycelectron.com



深圳市裕诚电子有限公司

SHENZHEN YUCHENG ELECTRONICS CO., LTD

单位 UNITS	MM	制图 DRAWING	陈雅	制图料号 PRODUCT PART NO	USB-4T10Z
比例 SCALE	1:1	审核 CHKD	洪章波	产品名称 PRODUCT NAME	规格6.3直插金壳
日期 DATE	2016.2.5	核准 APPD	魏杰	角法 VIEW	版本 VER
					A0