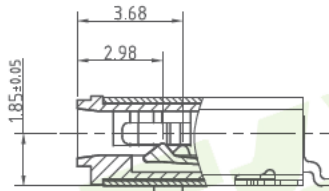
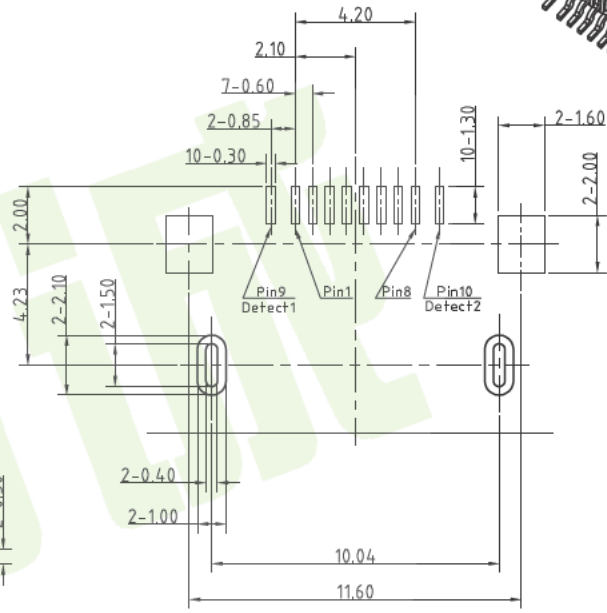
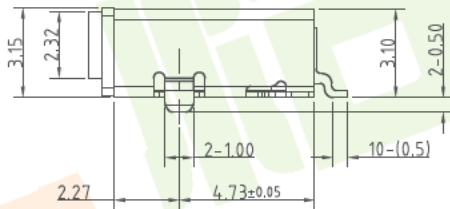
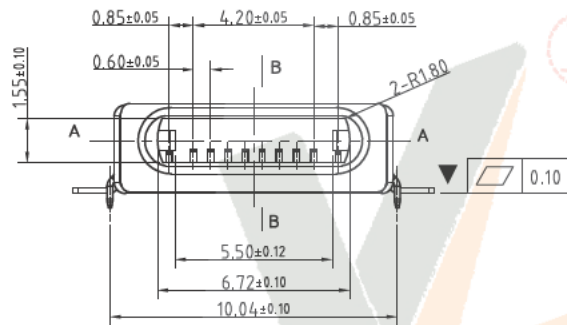


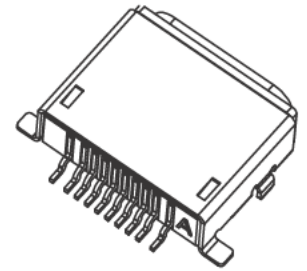
SECTION A-A



SECTION B-B



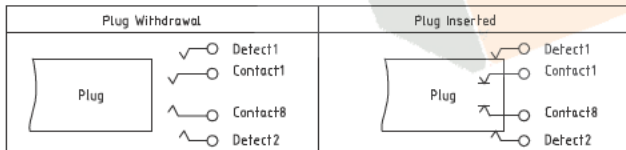
Recommended PCB Layout
Tolerance: ±0.05



PIN NO.	SIGNAL
1#	GND
2#	DP1
3#	DN1
4#	ACC1
5#	PWR IN
6#	DN2
7#	DP2
8#	ACC2
9#	DETECT1
10#	DETECT2
SHELL	GND

NOTE:
1. Material & Finish See Table;

2. Circuit Diagram For Switch



3. Characteristic:

- 3-1. Current Rating :1.5A max.; Voltage Rating: 30V
- 3-2. Contact Resistance: 50mOhms max
- 3-3. Insulation Resistance: 100M OhmsΩ min./500VDC
- 3-4. Dielectric Withstanding Voltage: 500VAC/1minute
- 3-5. Mating Force: 15N Max, Withdrawal Force: 3N Min.;
- 3-6. Durability: 5000 Cycles
- 3-7. Operating Temperature: -25°C to +85°C

4. Critical Dimensions Marked "▼" Should Check By QC.

Item	Part Name	Material	Description
4	Housing	Thermoplastics	Black, UL94V-0
3	Lock	Stainless Steel	No Plated
2	Defect	Copper Alloy	Gold Flash on Solder Tails and Contact Area; Nickel Under Plated Overall.
1	Terminal	Copper Alloy	Gold Flash on Solder Tails and Contact Area; Nickel Under Plated Overall.

CUSTOMER INSPECTION DRAWING



深圳市裕诚电子有限公司
SHENZHEN YUCHENG ELECTRONICS CO., LTD

APPROVED:	陈雅	GENERAL TOLERANCES	TITLE:	0.6Pitch 10P I/O CONN on BOARD
CHECKED:	洪章波	.X:	±0.30	PART NO:
DRAWING:	魏杰	.XX:	±0.20	TYPE--C-iphone10P
		.XXX:	±0.10	www.ycelectron.com
		ANGEL:	±1°	REV: A
		SHEET:	1 / 1	UNIT: mm
				SCALE: /
				SHEET: A4

DO NOT SCALE DRAWING