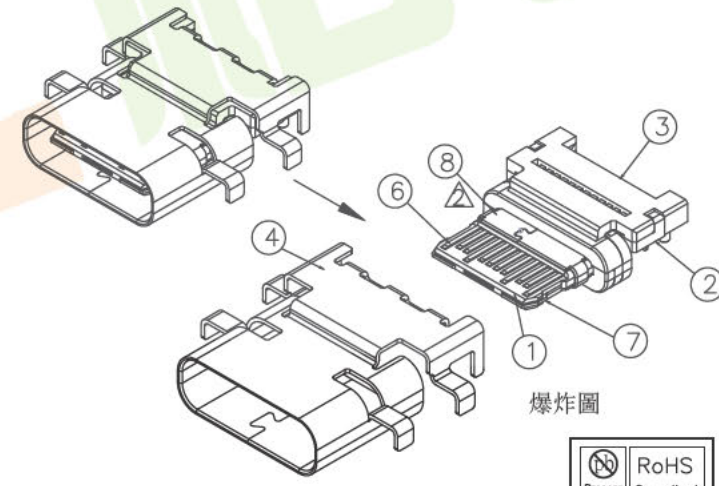
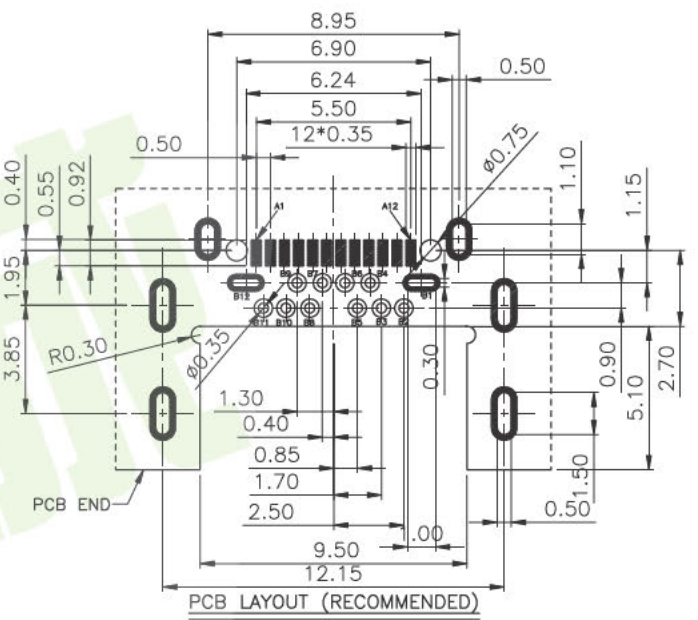
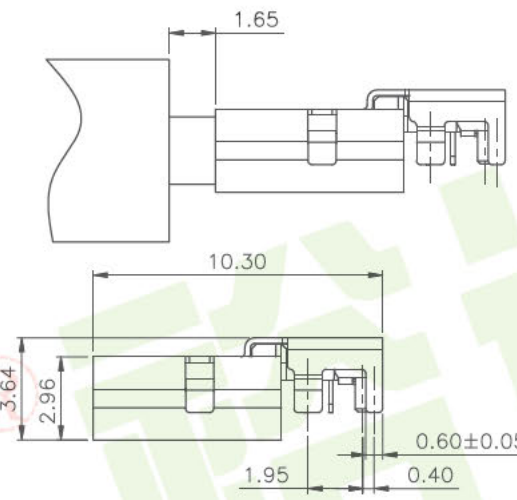


PIN	Signal Name	PIN	Signal Name
A1	GND	B12	GND
A2	SSTXp1	B11	SSRXp1
A3	SSTXn1	B10	SSRXn1
A4	VBUS	B9	VBUS
A5	CC1	B8	SBU2
A6	Dp1	B7	Dn2
A7	Dn1	B6	Dp2
A8	SBU1	B5	CC2
A9	VBUS	B4	VBUS
A10	SSRXn2	B3	SSTXn2
A11	SSRXp2	B2	SSTXp2
A12	GND	B1	GND

ITEM 項目	PARTS NAME 零件名稱	Q'TY 數量	MATERIAL 材質	FINISH/REMARK 處理/備註
1	Insermold housing	1	SYNTHETIC RESIN	Black
2	12pin Insermold-(1)	1	SYNTHETIC RESIN	Black
3	12pin Insermold-(2)	1	SYNTHETIC RESIN	Black
4	SHELL	1	STAINLESS	Ni:50u* Min
5	12pin Contact-(DIP)	12	COPPER ALLOY	Gold flash on contact area 100u* Tin on solder tails, base Nickel:50u*
6	12pin Contact-(SMT)	12	COPPER ALLOY	Gold flash on contact area 100u* Tin on solder tails, base Nickel:50u*
7	Shield SHELL	1	STAINLESS	base Nickel:50u* Min ; Tin:80u* Min Over All
8	Ground plate	1	STAINLESS	NON-PLATING



SPECIFICATION (Tol:±0.05)
 MATERIAL
 See drawing
 STANDARD DATA
 Rating current:
 3.0A for VBUS, 1.25A for Vconn and GND, 0.25A for all the other contacts.
 ELECTRICAL
 Insulator resistance: 100M ohms Min
 Withstanding voltage: 100 VAC / minute
 Contact resistance: 40 m ohms Max
 MECHANICAL
 Mating force: 5~20N
 Unmating force: Initial 8~20N After 10000 cycles 6~20N
 Durability: 10000 cycles Min.
 PART NO.

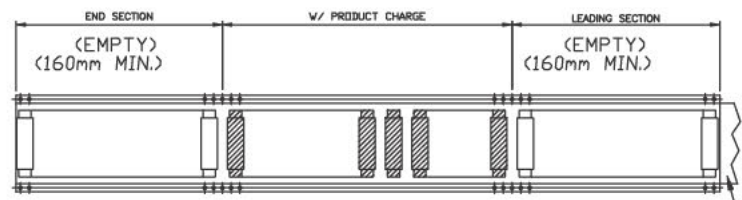
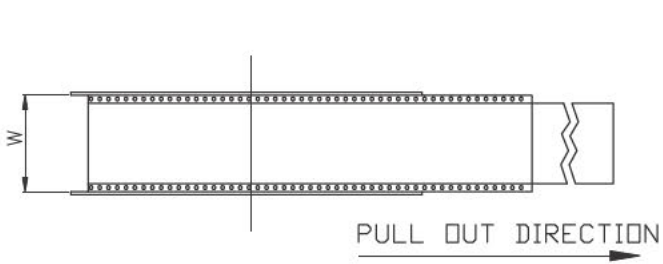
SERIES D 1 3 -0824 - 24 001
 D=I/O Connector
 TYPE 1=0.5mm pitch
 CONTACT TYPE 3=SMT type

MODEL NO. TYPE NO. 001=Type 01
 CONTACT NUMBER 24=24position

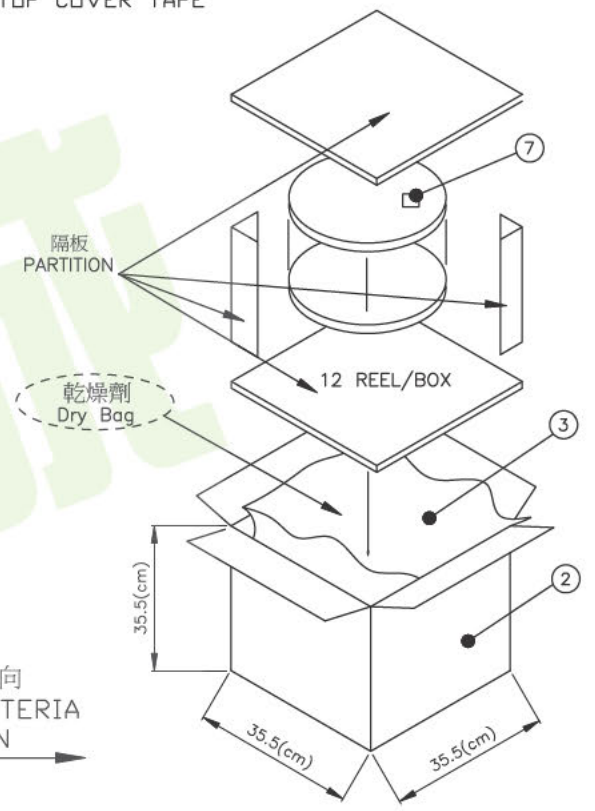
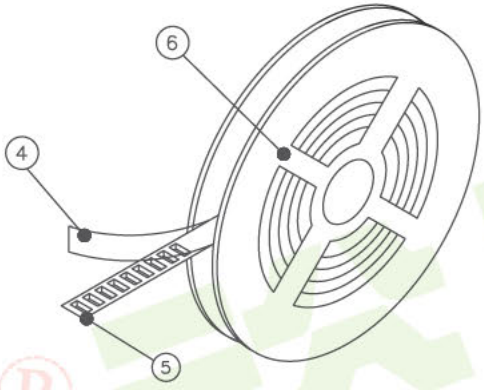
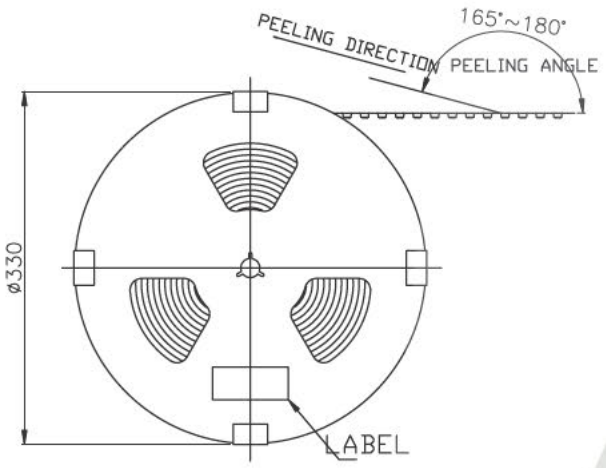


深圳市裕诚电子有限公司
 SHENZHEN YUCHENG ELECTRONICS CO., LTD

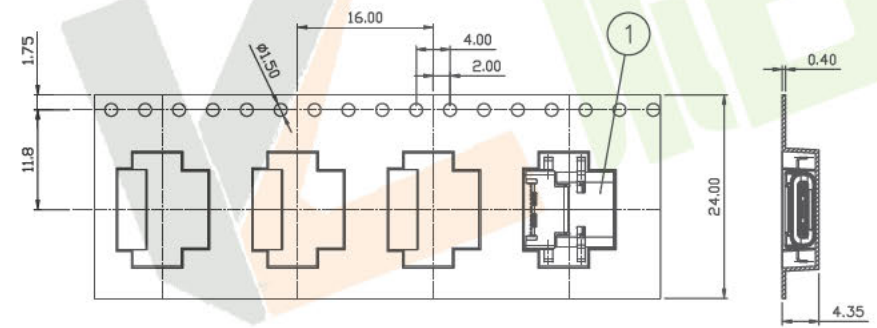
REV. 版本	ECN NO. 設變號碼	MARK 記號	REVISIONS 設變內容	SIGN 修改	DATE 日期	UNLESS OTHERWISE SPECIFIED TOLERANCE 尺寸公差	CHECKED 審核	DESIGNED 設計	TITLE 產品名稱	UNIT 單位	SCALE 比例	PART NO. 產品料號	REV. 版本
B	E1710-006	X 2	設變Ground plate改為一體式			X. ±0.50	洪章波		USB C TYPE CONNECTOR	MM	1/1	TYPE-C-C103	
A	N2014-004	X 0	新開		2016.2.5	.X ±0.30 .XX ±0.20 ANG. ±5'00'	魏杰	陈雅	www.ycelectron.com				



ITEM 項目	PARTS NAME 零件名稱	FINISH/REMARK 處理/備註
1	CONNECTOR	12000 PCS/BOX
2	BOX	12 REEL/BOX
3	WATERPROOF BAG	1 PCS
4	REEL	1000 PCS/REEL
5	COVER TAPE	Wide=24mm
6	CARRIER TAPE	--
7	LABEL	批號標籤



收料方向
CATHETER MATERIAL
DIRECTION



客戶放料方向
INPUT MATERIA
DIRECTION

NOTES

1.MATERIAL: PS (Color: 透明)

2.DEFORMATION(變形)&DAMAGE(損壞): NA.(不可)

3.All dimensions meet EIA-481-C requirements.

TAPE REEL成品擺放方向

Process Capable

RoHS Compliant

深圳市裕诚电子有限公司
SHENZHEN YUCHENG ELECTRONICS CO., LTD

REV. 版本	ECN NO. 設變號碼	MARK 記號	REVISIONS 設變內容	SIGN 修改	DATE 日期	UNLESS OTHERWISE SPECIFIED TOLERANCE 尺寸公差	CHECKED 審核	DESIGNED 設計	TITLE 產品名稱	UNIT 單位	SCALE 比例	PART NO. 產品料號	REV. 版本
B	E1710-006	△ X 0	設變Ground plate改為一體式			X. ±0.50	洪章波		package specification	MM	1/1	TYPE-C-C103	
A	N2014-004	△ X 0	新開		2016.2.5	.X ±0.30	魏杰	陈雅	www.ycelectron.com	A4			