

RoHS
Compliant

规格说明: Specifications:

电气特性: Electrical:

- 1 额定电流: Current Rating
1 0A/contact terminal
- 2 额定电压: Voltage Rating
30V DC
- 3 接触阻抗: Contact Resistance
50 milliohms MAX
- 4 耐电压: Dielectric Withstanding Voltage:
300 V AC AT Sea Level
- 5 绝缘阻抗: Insulation Resistance:
100MEGA ohms MIN

物理性能: Mechanical:

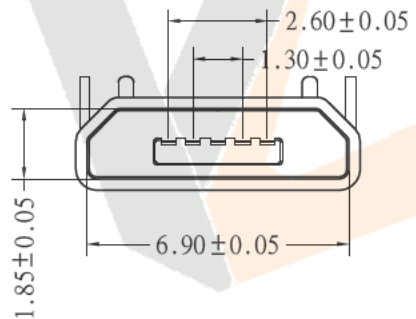
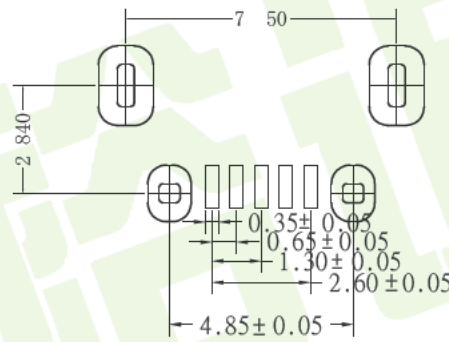
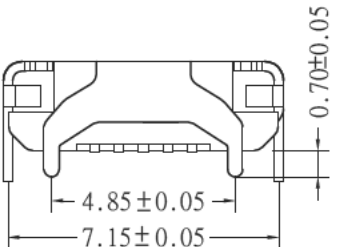
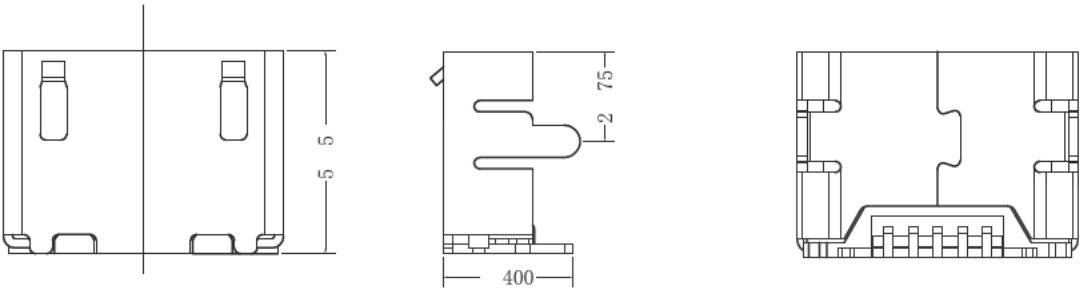
- 1 插拔力: Connector Mate and Unmate Force
Mate force: 3 0kgf(MAX)
Unmate force: 0 7kgf(MIN)
- 2 端子保持力: Terminal Retention
0 5kgf(MIN)

原材料: Material:

- 1 塑胶: Housing:
High Temperature Thermoplastics,
UL 94V-0 LCP Black
- 2 端子: Contact: Copper Alloy C5191
- 3 外壳: Shell: Copper Alloy C2680

电镀: Finish:

- 1 端子: Contact: Plated Gold in Mating Area;
Tin On Solder Tails
- 2 外壳: Shell:
Nickel Plating



RECOMMENDED PCB LAYOUT

3			
2			
1			
ECN NO.	DESCRPTION	REVISER	DATE

 深圳市裕诚电子有限公司 SHENZHEN YUCHENG ELECTRONICS CO., LTD		图号 (DWG NO)	YC-TYPE-1822M	单位 (UNIT): MM
		版本 (REV)	A/0	比例 (SCALE) 1:1
品名 (ITEM NO)	MICRO 5P/F DIP B型(牛角平口)	日期 (DATE)	2016.2.5	 未注公差 TOLERANCE UNSPECIFIED
料号 (PART NO)	MICRO-XN53-Z	设计 (DESIGN)	洪章波	X.X ±0.15
WEBSITE	www.ycelectron.com	审核 (CHECKED)	魏杰	X.XX ±0.10
		核准 (APPROVED)	陈雅	X.XXX ±0.05
				X ±5
				X.X ±2