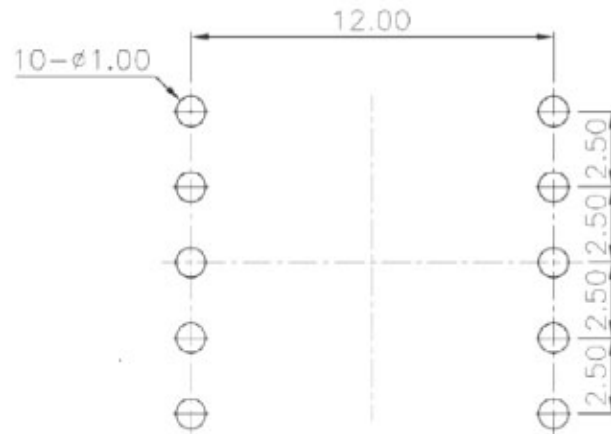
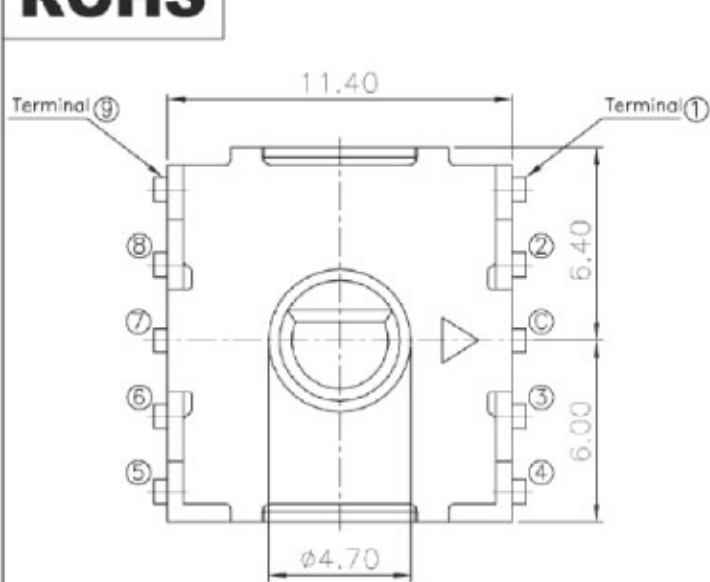
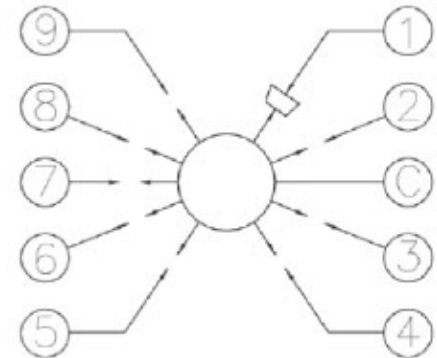


ROHS

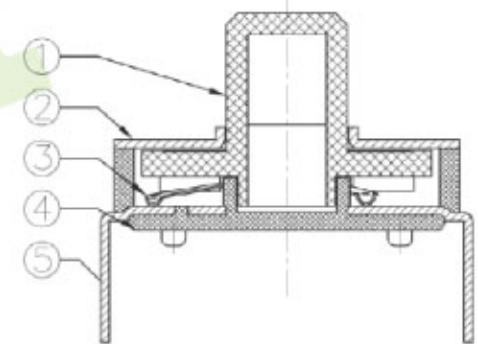


P.C.B Mounting Pattern Dimension

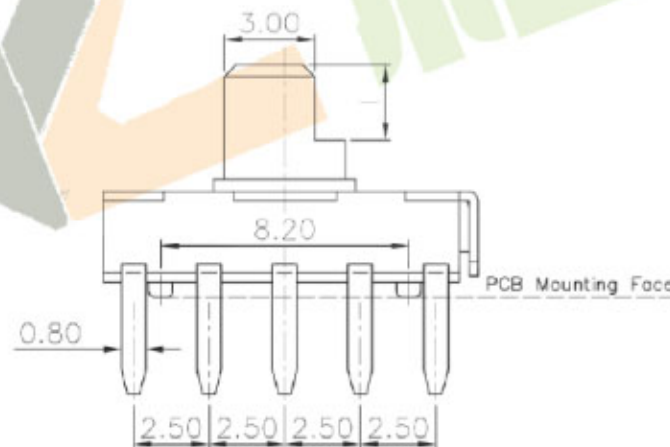
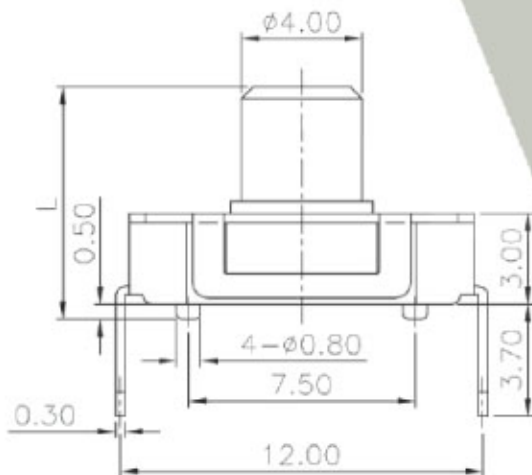


Circuit Diagram

L	l	Operating Force
7.7mm	2.5mm	100±50gf
9.8mm	4.1mm	
7.7mm	2.5mm	200±60gf
9.8mm	4.1mm	



Product Structure Diagram



ITEM	PART NAME	TER'NO.	QTY.	MATERIAL	FINISHING	REMARK
⑤	Terminal	—	10	Brass(0.15t)	Plating silver	—
④	Base	—	1	Nylon	Black	—
③	Contact	—	1	SUS	Plating silver	—
②	Cover	—	1	SUS	Natural	—
①	Keystoke	—	1	Nylon	Black	—

ITEM	PART NAME	TER'NO.	QTY.	MATERIAL	FINISHING	REMARK
------	-----------	---------	------	----------	-----------	--------

APPROVALS			DATE	深圳市裕诚电子有限公司 SHENZHEN YUCHENG ELECTRONICS CO., LTD										
DRAWN	J.X.Zhang	2013/8/19	WEBSITE		www.ycelectron.com									
APPROVALS			PART NO.		M1-5223G									
TOLERANCES ARE		<table border="1"> <tr><td>30~12.7</td><td>±0.30</td></tr> <tr><td>10~30</td><td>±0.20</td></tr> <tr><td>5~10</td><td>±0.15</td></tr> <tr><td>~ 5</td><td>±0.10</td></tr> </table>	30~12.7	±0.30	10~30	±0.20	5~10	±0.15	~ 5	±0.10	ANGLE	UNIT: mm	SCALE: 1:1	PROJ:
30~12.7	±0.30													
10~30	±0.20													
5~10	±0.15													
~ 5	±0.10													
ECN NO.	REV.	DATE.	CHANGE.	CHECK.	APPRO.	DRAWING NO.								

ECN NO.	REV.	DATE.	DESCRIPTION.	CHANGE.	CHECK.	APPRO.
—	A	—	NEW	—	—	—