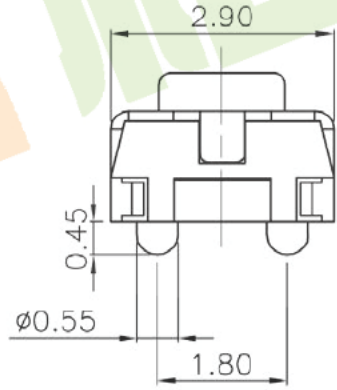
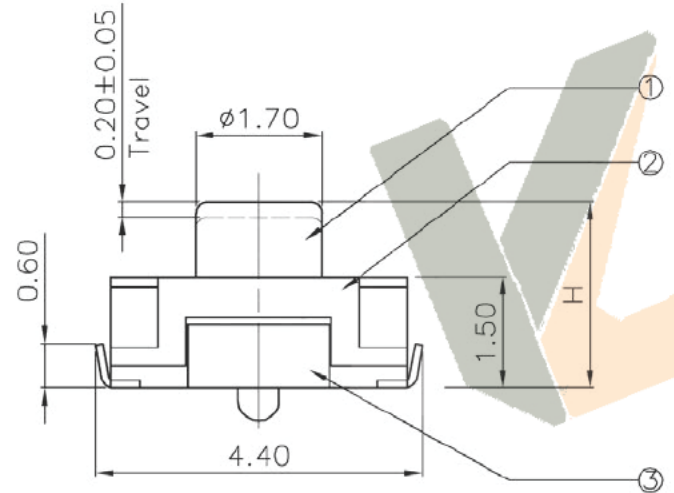
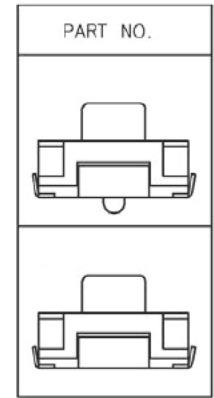


NO.1	
PART NO	H
A	2.0
B	2.5

NO.4-NO.5	
PART NO	NOTE
01~99	SERIAL NUMBER

NO.2	
PART NO	VIGOR
1	90±30
3	180±30
4	250±30

NO.3	
PART NO	MATERIAL/QTY
S	SUS/1PC
D	SUS/2PCS



ITEM	PART NAME	TER'NO.	QTY.	MATERIAL	FINISHING	REMARK
⑥	Dust cover	—	1	KAPTON FILM	Yellow	—
⑤	Terminal	—	2	Phosphor Bronze	Plating silver	—
④	Contact	—	2	F.Ag/SUS	—	—
③	Base	—	1	Nylon	Black	—
②	Cover	—	1	SUS	Natural	—
①	Keystoke	—	1	Nylon	Black	—

APPROVALS		DATE	深圳市裕诚电子有限公司 SHENZHEN YUCHENG ELECTRONICS CO.,LTD													
DRAWN	xu qi feng	2014/10/21	WEBSITE	www.ycelectron.com												
CHECKED			PART NO.	M2-3995A												
APPROVALS			TOLERANCES ARE	<table border="1"> <tr> <td>30~120</td> <td>±0.30</td> </tr> <tr> <td>10~30</td> <td>±0.20</td> </tr> <tr> <td>5~10</td> <td>±0.15</td> </tr> <tr> <td>~ 5</td> <td>±0.10</td> </tr> </table>	30~120	±0.30	10~30	±0.20	5~10	±0.15	~ 5	±0.10	ANGLE	UNIT: mm	SCALE: 1:1	PROJ:
30~120	±0.30															
10~30	±0.20															
5~10	±0.15															
~ 5	±0.10															
			DRAWING NO.	SHEET 1 OF 1												

ECN NO.	REV.	DATE.	DESCRIPTION.	CHANGE.	CHECK.	APPRO.
	A		NEW			