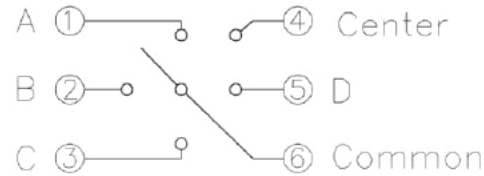
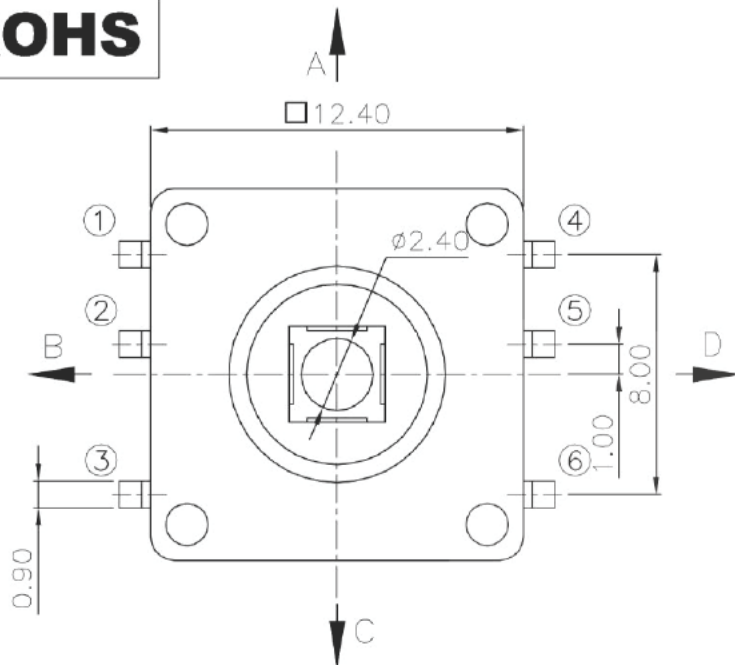
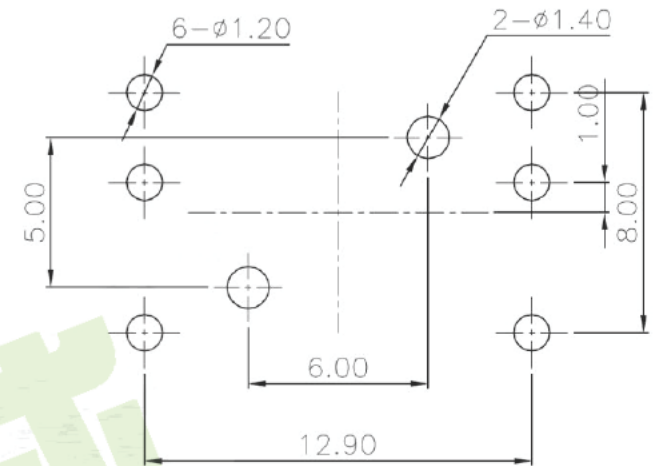


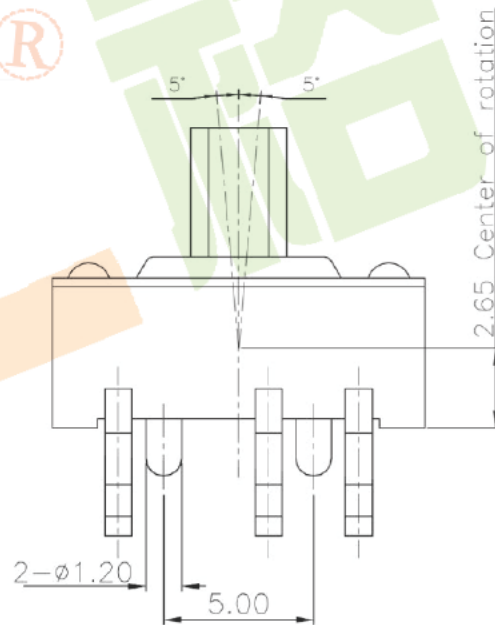
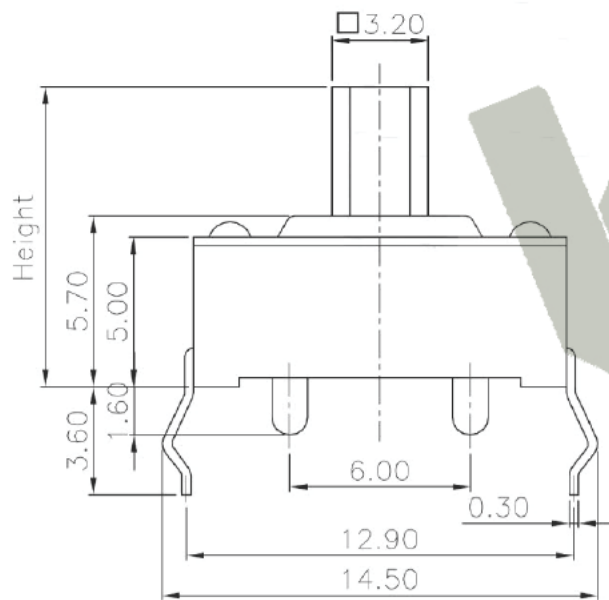
**ROHS**



Circuit Diagram (TOP VIEW)



PCB Layout(Pattern Side)



**NOTE:**

Operating Force:  
 4-direction  $160 \pm 35$  gf  
 center push  $250 \pm 35$  gf  
 Travel: 4-direction  $5^\circ \pm 2'$   
 center push  $0.25 \pm 0.1$ mm

Height
7
8
9
10
11

ITEM	PART NAME	TER'NO.	QTY.	MATERIAL	FINISHING	REMARK
⑦	Fixed cover	—	1	PA46	Black	Circular
⑥	Contact	—	5	F.Ag/SUS	—	Circular
⑤	Terminal	—	6	Brass(0.3t)	Plating silver	—
④	Base	—	1	PA46	Black	—
③	Cover	—	1	PE	White	—
②	Axle sleeve	—	1	PA46	Black	—
①	KNOB	—	1	PA46	Black	—

APPROVALS		DATE		深圳市裕诚电子有限公司 SHENZHEN YUCHENG ELECTRONICS CO.,LTD		
DRAWN	J.X.Zhang	2013/7/31				
CHECKED				WEBSITE		www.ycelectron.com
APPROVALS				PART NO.		M1-5218S
TOLERANCES ARE			30~以下	±0.30	ANGLE	UNIT: mm
			10~30	±0.20		
			5~10	±0.15	±2'	SCALE: 1:1
			~ 5	±0.10		
DRAWING NO.		SCALE: 1:1		PROJ:		SHEET 1 OF 1

ECN NO.	REV.	DATE.	DESCRIPTION.	CHANGE.	CHECK.	APPRO.
—	A	—	NEW	—	—	—