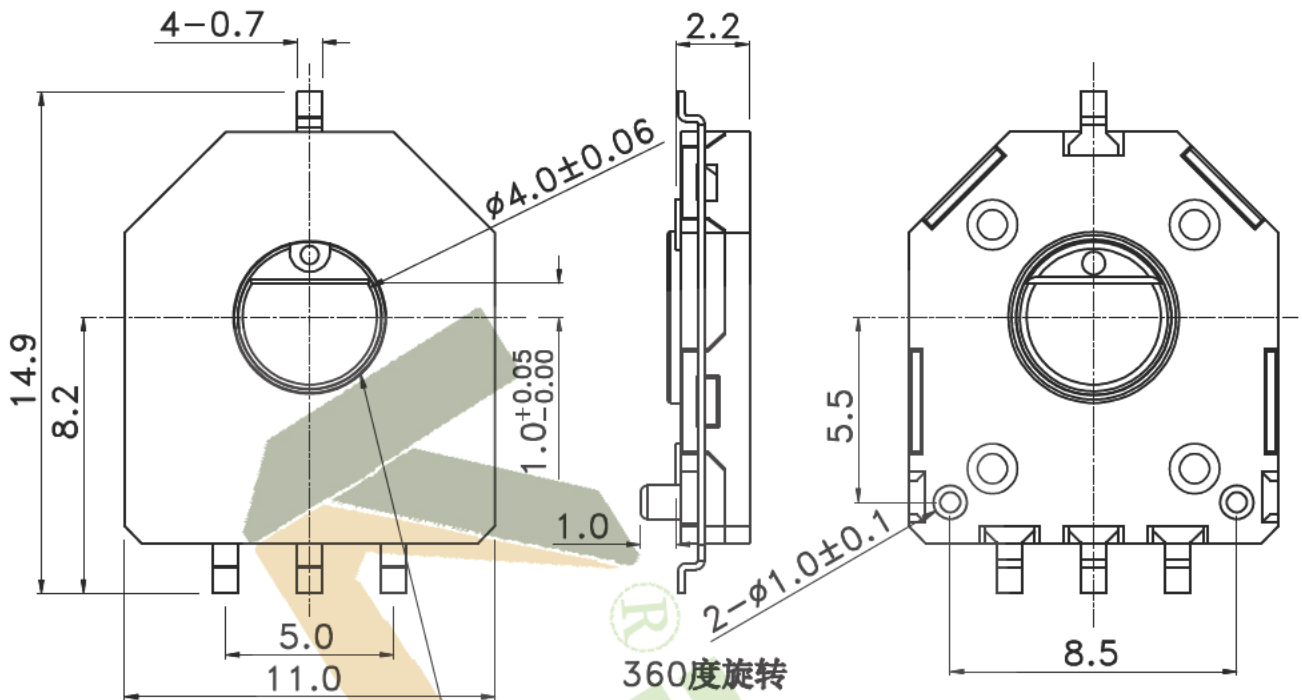
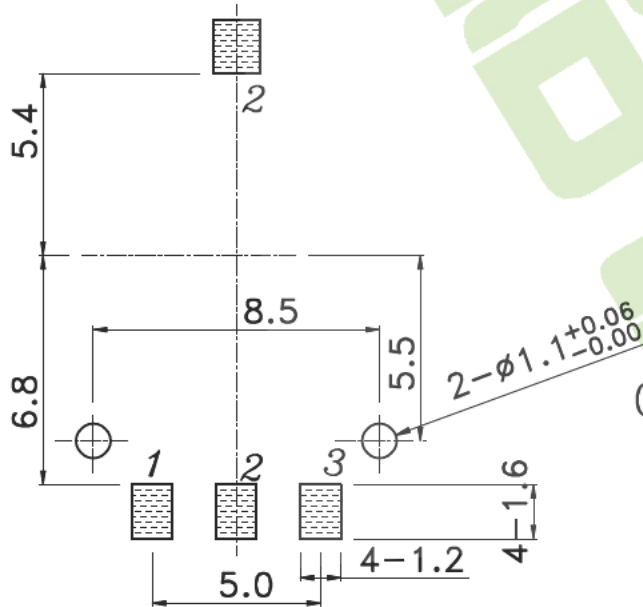


外形圖 MECHANICAL DIMENSIONS



安裝孔位圖
Mounting Hole



接線圖
Circuit Explanation



SM110-3T-XXX-360

TOLERANCE UNLESS OTHERWISE STATED

LESS THAN 10	±0.3
ABOVE 10 LESS THAN 30	±0.5
ABOVE 30	±1.0

ANGLE ±5°

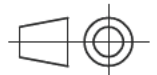


深圳市裕诚电子有限公司
SHENZHEN YUCHENG ELECTRONICS CO., LTD

DRAW NO. END-DG UNIT MM PROJECTION

DEVISION REVISION NOTE DATE DE. BY CH. BY AP. BY

A/0 新版發行 14.09.18 Z.G.W



PRODUCT NAME

電位器