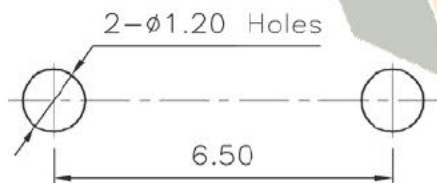
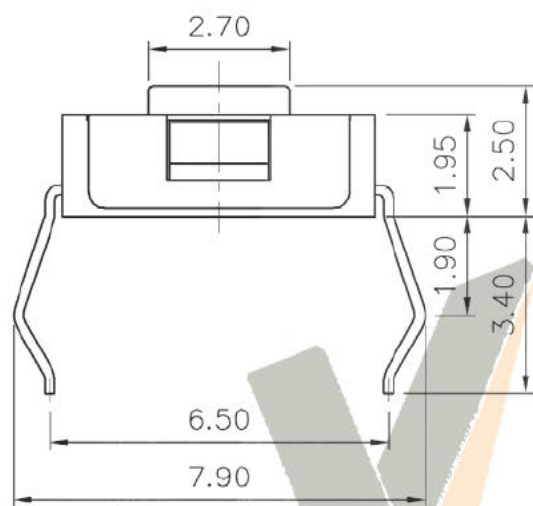
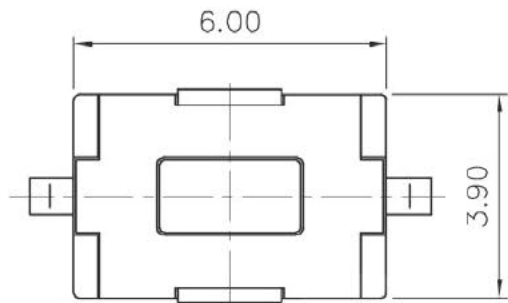
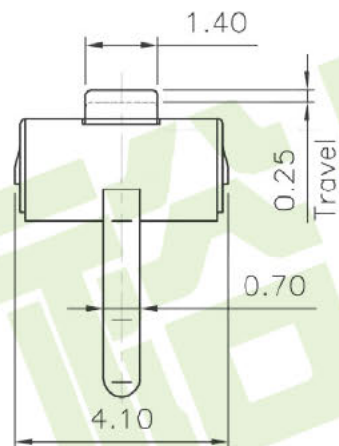


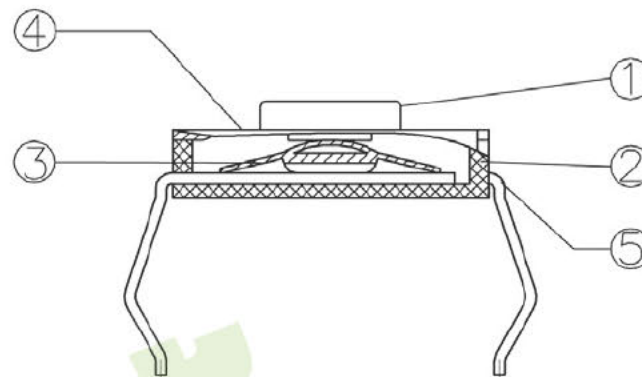
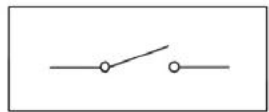
ROHS



PCB Layout(Pattern Side)



Circuit Diagram



NO.1	
PART NO	vigor
1	90±30
2	130±30
3	180±30
4	250±30
5	350±50

NO.2	
Contact	MATERIAL/QTY.
S	SUS/1PC
C	C5210/1PC
D	SUS/2PCS
F	C5210/2PCS

NO.3-NO.4	
PART NO	NOTE
01~99	SERIAL NUMBER

ITEM	PART NAME	TER'NO.	QTY.	MATERIAL	FINISHING	REMARK
⑤	TERMINAL	—	2	Brass(0.20t)	Ag-PLATED	——
④	Cover	—	1	Sheet Iron	Plating Nickel	——
③	Contact	—	1	Stainless Steel	Ag-PLATED	——
②	Base	—	1	NYLON	Black	——
①	Keystoke	—	1	NYLON	White	——

APPROVALS		DATE	深圳市裕诚电子有限公司 SHENZHEN YUCHENG ELECTRONICS CO.,LTD													
DRAWN	J.X.Zhang	2012/3/18	WEBSITE	www.ycelectron.com												
CHECKED			PART NO.	M2-3966P												
APPROVALS			TOLERANCES ARE	<table border="1"> <tr> <td>30~120</td> <td>±0.30</td> </tr> <tr> <td>10~30</td> <td>±0.20</td> </tr> <tr> <td>5~10</td> <td>±0.15</td> </tr> <tr> <td>~ 5</td> <td>±0.10</td> </tr> </table>	30~120	±0.30	10~30	±0.20	5~10	±0.15	~ 5	±0.10	ANGLE	UNIT: mm	SCALE: 1:1	PROJ:
30~120	±0.30															
10~30	±0.20															
5~10	±0.15															
~ 5	±0.10															
			DRAWING NO.	SHEET 1 OF 1												

ECN NO.	REV.	DATE.	DESCRIPTION.	CHANGE.	CHECK.	APPRO.
	A		NEW			