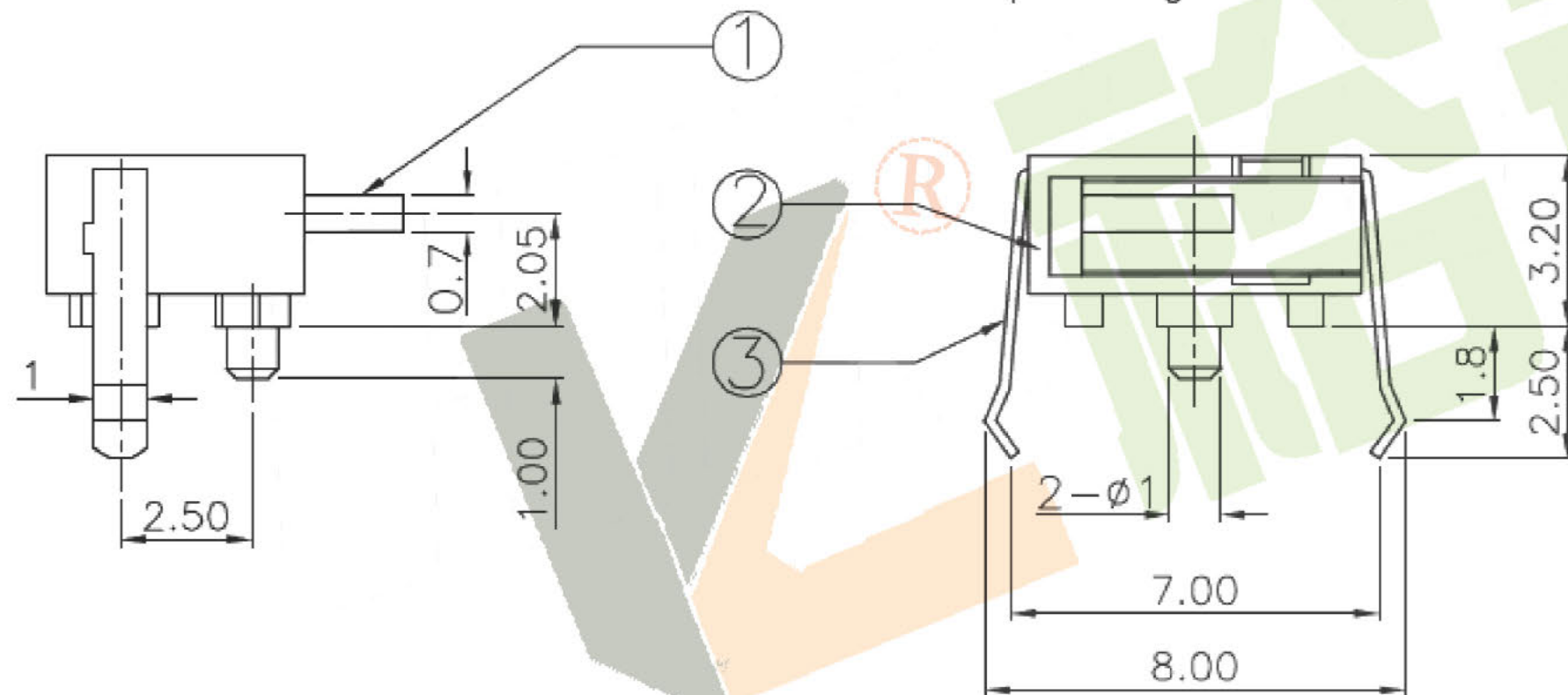
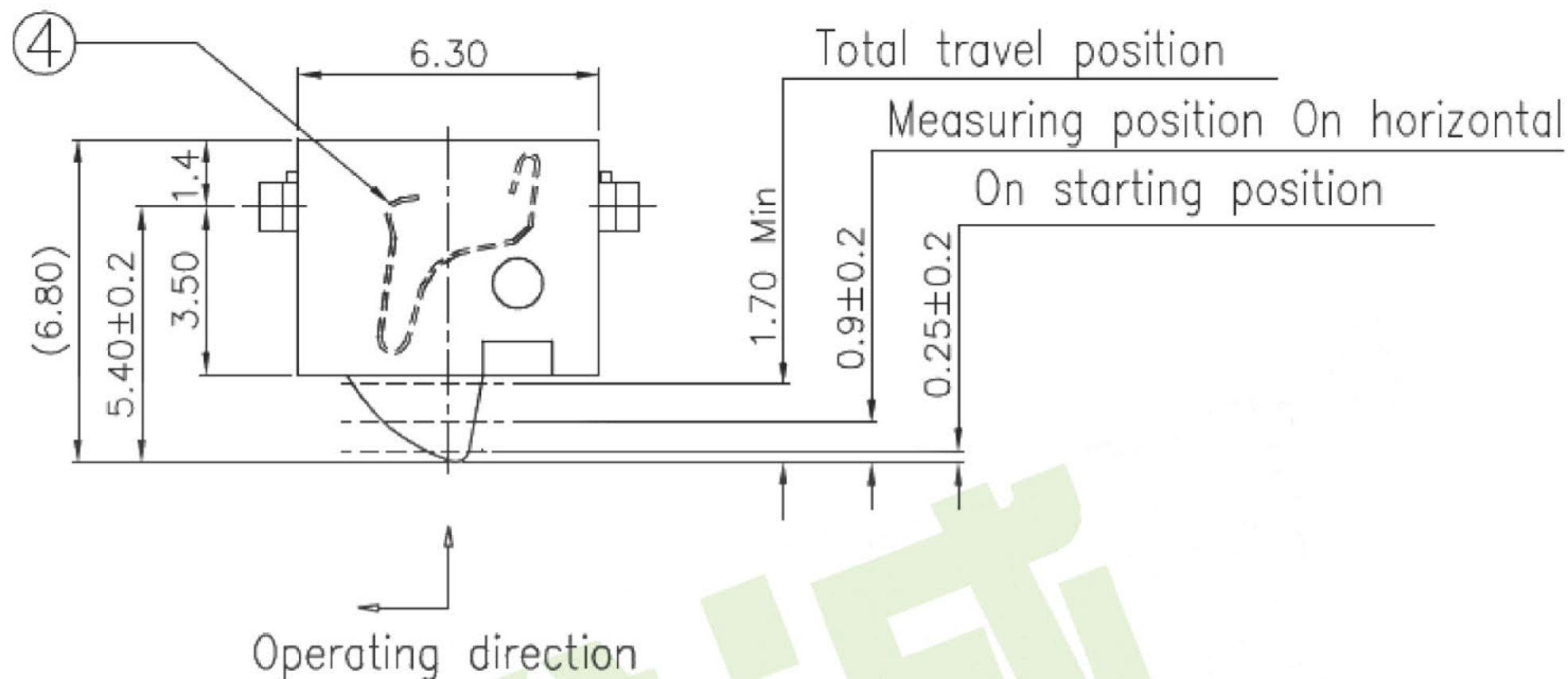


HOLE LAYOUT



CIRCUIT DIRGRAM

NOTE:  
Operating Force: 30gf Max

ITEM	PART NAME	TER'NO.	QTY.	MATERIAL	FINISHING	REMARK
④	Contact Spring	—	1	Phosphor Bronze	Ag Clad	—
③	Terminal	—	2	Brass	Ag Plated	—
②	Base	—	1	NYLON	Black	—
①	Slider	—	1	NYLON	Cream	—

APPROVALS		DATE		深圳市裕诚电子有限公司 SHENZHEN YUCHENG ELECTRONICS CO.,LTD			
DRAWN	J.X.Zhang	2013/9/18		WEBSITE	www.ycelectron.com		
CHECKED				PART NO.	M5-1692D		
APPROVALS				UNIT: mm	SCALE: 1:1	PROJ:	
TOLERANCES ARE			30~以上 ±0.30	ANGLE	±2'	DRAWING NO.	
			10~30 ±0.20				
			5~10 ±0.15				
			~ 5 ±0.10				
ECN NO.	REV.	DATE.	DESCRIPTION.	CHANGE.	CHECK.	APPRO.	SHEET 1 OF 1

ECN NO.	REV.	DATE.	DESCRIPTION.	CHANGE.	CHECK.	APPRO.
—	A	—	NEW	—	—	—