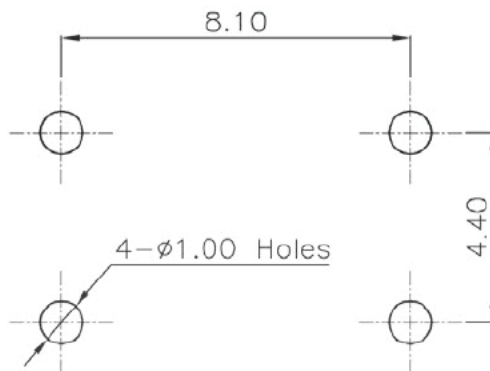
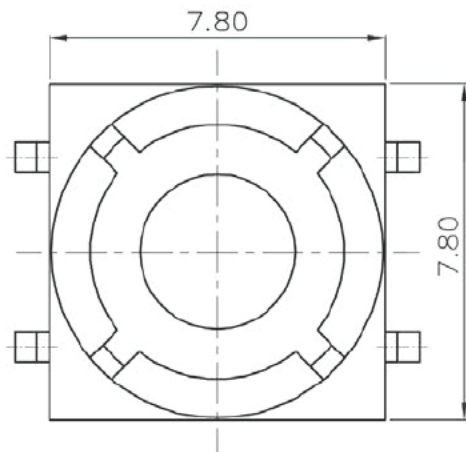
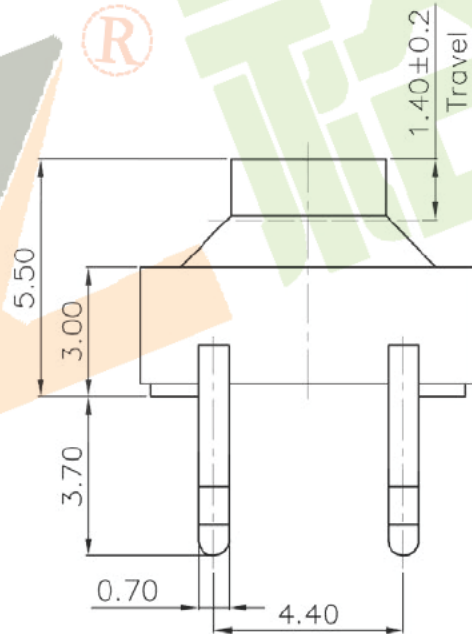
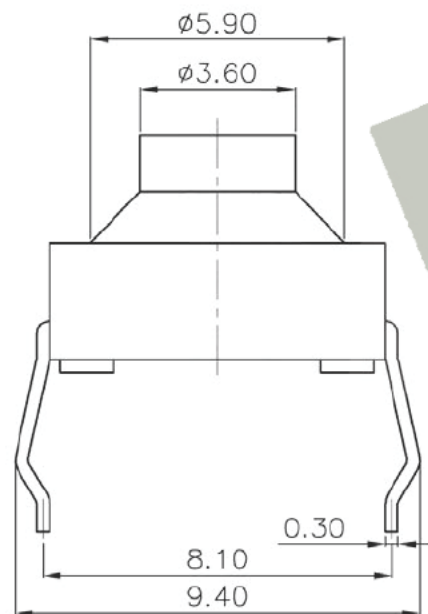
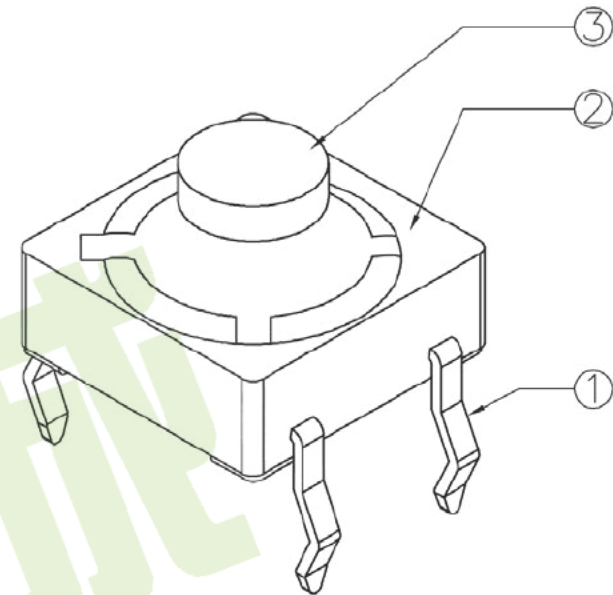


**ROHS**



PCB Layout(Pattern Side)



Circuit Diagram

NO.1	
PART NO	vigor
1	100±30
2	130±30
3	160±30
4	250±30

NO.2-NO.3	
PART NO	NOTE
01~99	SERIAL NUMBER

ITEM	PART NAME	TER'NO.	QTY.	MATERIAL	FINISHING	REMARK
③	Knob	—	1	Silica gel	Gray	—
②	Base	—	1	Nylon	Black	—
①	Terminal	—	4	Phosphor Bronze	Plating silver	—

APPROVALS		DATE	深圳市裕诚电子有限公司 SHENZHEN YUCHENG ELECTRONICS CO.,LTD			
DRAWN	J.X.Zhang	2013/8/24	WEBSITE <a href="http://www.ycelectron.com">www.ycelectron.com</a>			
CHECKED			PART NO. <b>M2-3932P</b>			
APPROVALS			TOLERANCES ARE			
		30~12.1	±0.30	ANGLE	UNIT: mm	SCALE: 1:1
		10~30	±0.20			
		5~10	±0.15			
		~ 5	±0.10			
			±2'	DRAWING NO.		PROJ:
				SHEET 1 OF 1		

ECN NO.	REV.	DATE.	DESCRIPTION.	CHANGE.	CHECK.	APPRO.
	A		NEW			