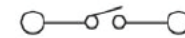
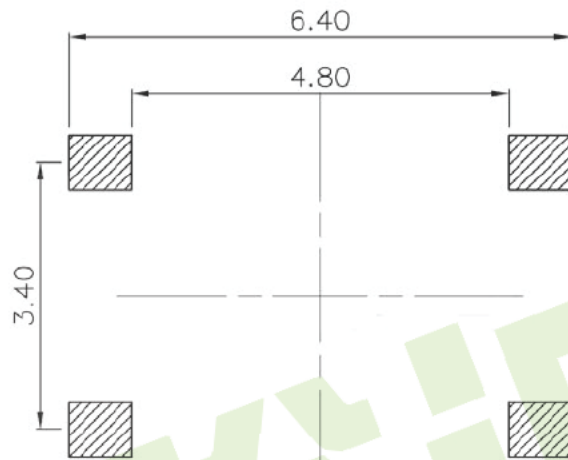
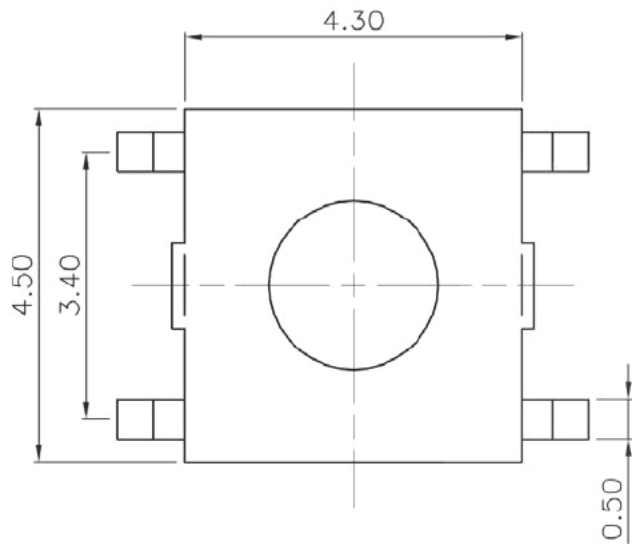
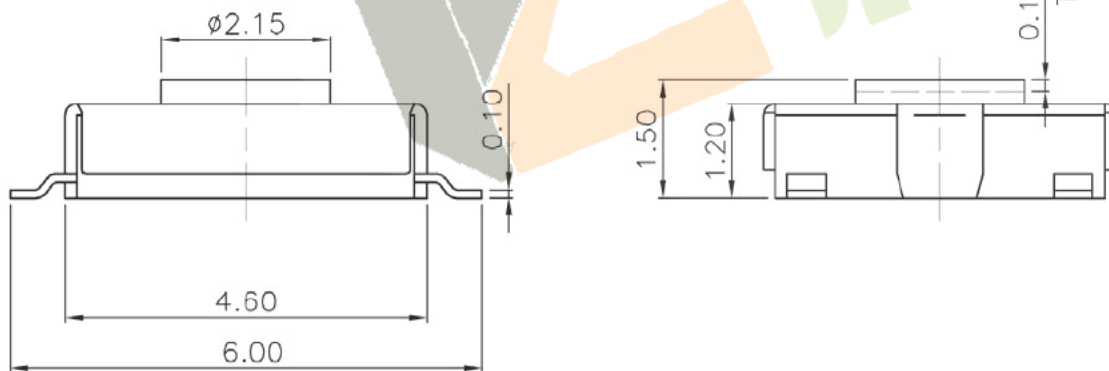


**ROHS**



Circuit Diagram

PCB Layout



NO.1	
PART NO	vigor
1	90±30
2	130±30
3	180±30
4	250±30
5	350±50

NO.2-NO.3	
PART NO	NOTE
01~99	SERIAL NUMBER

⑤	Terminal	—	4	Phosphor Bronze	Plating silver	—
④	Contact	—	1	F.Ag/C5210	—	—
③	Base	—	1	PA46	White	UL94V-0
②	Cover	—	1	SPCC	Plating Sn	—
①	Keystoke	—	1	PA46	White	UL94V-0
ITEM	PART NAME	TER'NO.	QTY.	MATERIAL	FINISHING	REMARK

APPROVALS		DATE	深圳市裕诚电子有限公司 SHENZHEN YUCHENG ELECTRONICS CO.,LTD			
DRAWN	J.X.Zhang	2013/7/17				
CHECKED			WEBSITE	www.ycelectron.com		
APPROVALS			PART NO.	M2-1858A		
TOLERANCES ARE		30~120	±0.30	ANGLE	UNIT: mm	SCALE: 1:1
		10~30	±0.20	±2'	DRAWING NO.	SHEET 1 OF 1
		5~10	±0.15			
		~ 5	±0.10			

ECN NO.	REV.	DATE.	DESCRIPTION.	CHANGE.	CHECK.	APPRO.
	A		NEW			