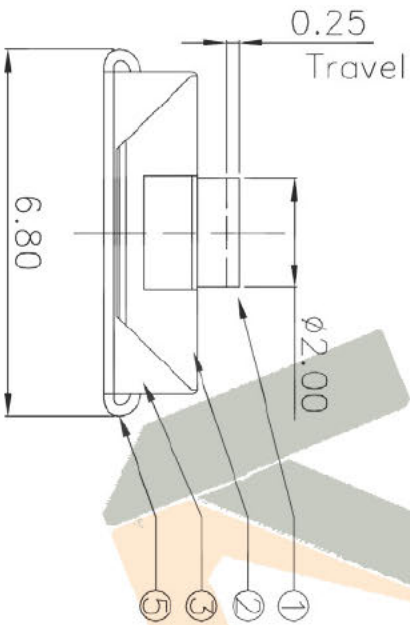


Circuit Diagram

NO.3	
PART NO	MATERIAL/QTY
S	SUS/1PC
C	C5210/1PC
D	SUS/2PCS
F	C5210/2PCS

PCB Layout (Pattern side)



NO.2	
PART NO	vigor
1	90±30
2	130±30
3	180±30
4	250±30
5	350±50

NO.4-NO.5	
PART NO	NOTE
01~99	SERIAL NUMBER

ITEM	PART NAME	TER'NO.	QTY.	MATERIAL	FINISHING	REMARK
⑤	Terminal	---	4	Copper(0.3)	Plating silver	
④	Contact	---	1	F.Ag/C5210	Natural	
③	Base	---	1	Nylon	SaddleBrown	
②	Cover	---	1	Brass(0.15)	Plating Nickel	
①	Keystoke	---	1	Silicon	LightSkyBlue	

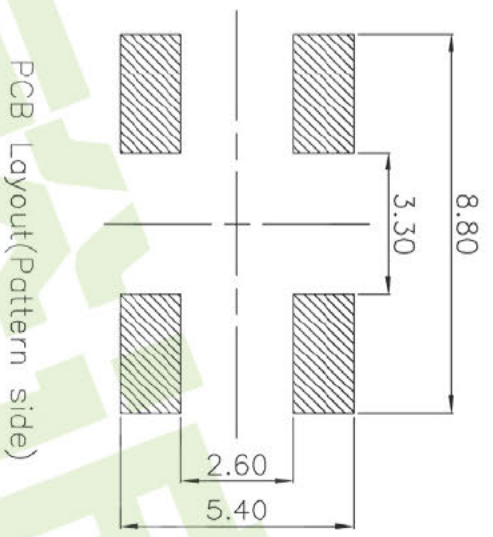
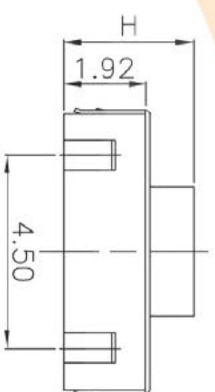
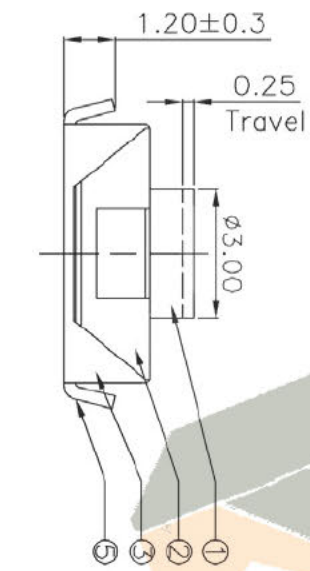
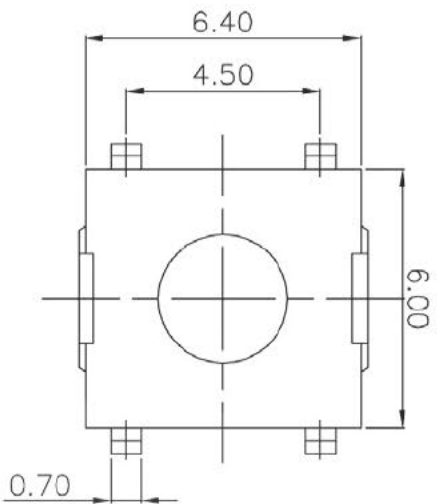
APPROVALS	DATE
DRAWN JKUNLU	2013/7/17

深圳市裕诚电子有限公司
SHENZHEN YUCHENG ELECTRONICS CO., LTD

WEBSITE	PART NO.
www.yucelectron.com	M2-1862D

ECN NO.	REV.	DATE.	DESCRIPTION.	CHANGE.	CHECK.	APPRO.
	A		NEW			

TOLERANCES ARE	30~0.1	10~0.20	±0.20	ANGLE	UNIT: mm	SCALE: 1:1	PROJ.	SHEET 1 OF 1
	10~0.20	±0.15	±2°					



PCB Layout (Pattern side)



Circuit Diagram

NO.1	
PART NO	H
C	3.1
D	3.4
E	5.5
F	5

NO.3	
PART NO	MATERIAL/QTY
S	SUS/1PC
C	CS210/1PC
D	SUS/2PCS
F	CS210/2PCS

NO.2	
PART NO	vigor
1	90±30
2	130±30
3	180±30
4	250±30
5	350±50

NO.4-NO.5	
PART NO	NOTE
01~99	SERIAL NUMBER

ITEM	PART NAME	TER'NO.	QTY.	MATERIAL	FINISHING	REMARK
⑤	Terminal	---	4	Copper(0.3)	Plating silver	
④	Contact	---	1	F.Ag/CS210	Natural	
③	Base	---	1	Nylon	Black	
②	Cover	---	1	Brass(0.15)	Plating Nickel	
①	Keystoke	---	1	Nylon	Red	

APPROVALS		DATE
DRAWN	JKUN.LLU	2013/7/17
CHECKED		

APPROVALS		PART NO.	SCALE:	PROJ.
TOLERANCES ARE	30~>±0.30 10~<30 ±0.20 5~10 ±0.15 ~ 5 ±0.10	M2-1821A	1:1	1 OF 1
WEBSITE	www.ycellectron.com			

ECN NO.	REV.	DATE.	DESCRIPTION.	CHANGE.	CHECK.	APPRO.
	A		NEW			

深圳市裕诚电子有限公司
SHENZHEN YUCHENG ELECTRONICS CO., LTD