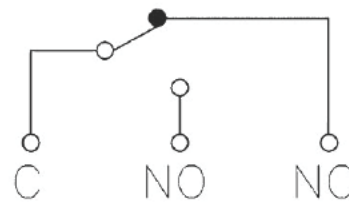
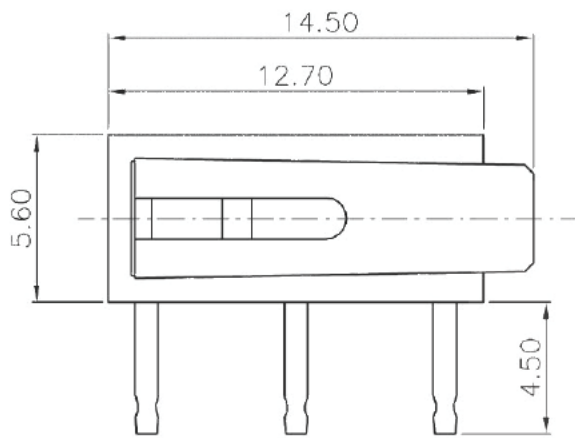
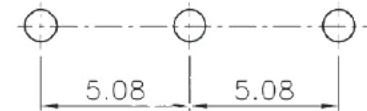


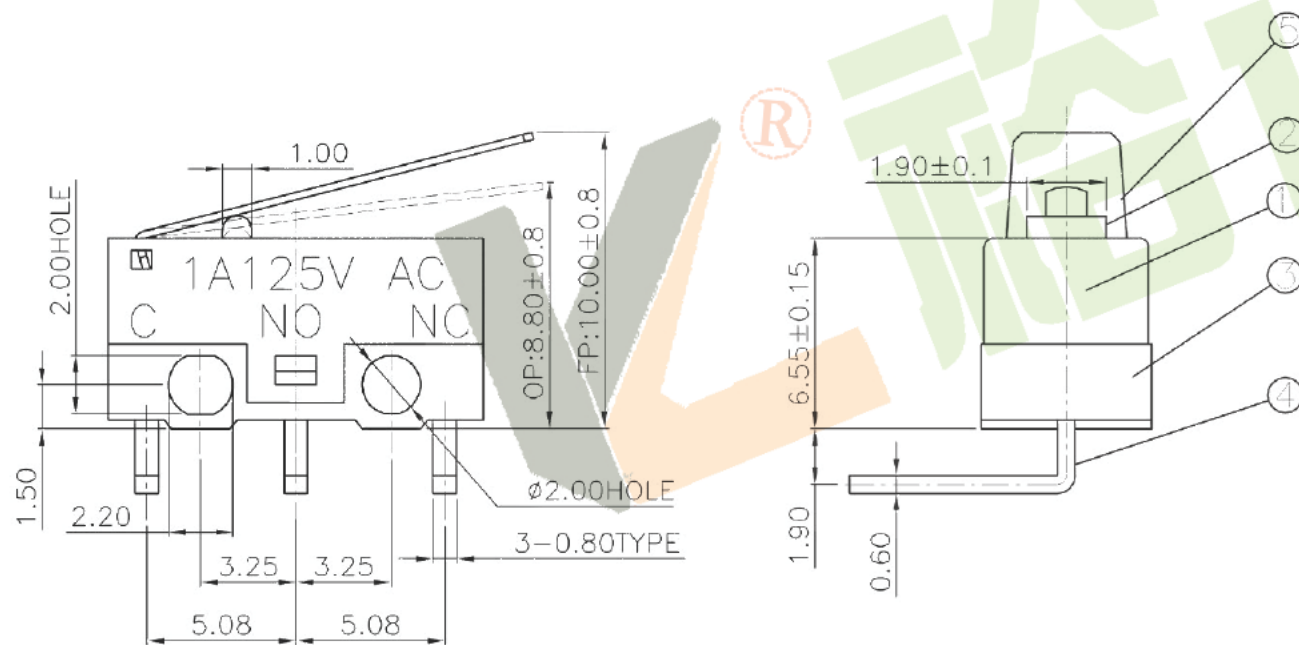
# ROHS



Circuit Diagram



P.C.B layout



NOTE:

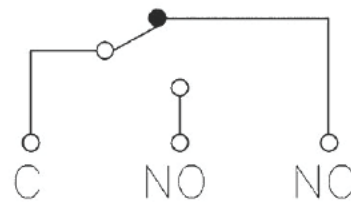
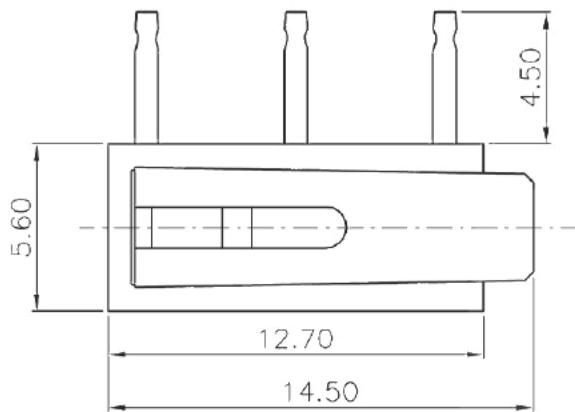
1. Rating: DC30V 0.1A
2. OP: 8.80±0.8
3. Operating force: 30±10gf
4. Mechanical Life: 100,000

ITEM	PART NAME	TER'NO.	QTY.	MATERIAL	FINISHING	REMARK
①	Shrapnel	—	1	Beryllium Copper	—	—
②	Contact	—	1	Copper	Plating silver	—
③	Lever	—	1	Stainless Steel	—	—
④	Terminal	—	3	C2680(0.50t)	Plating silver	—
⑤	Housing	—	1	PBT	White	—
⑥	Knob	—	1	POM	Red	—
⑦	Cover	—	1	PBT	Black	—

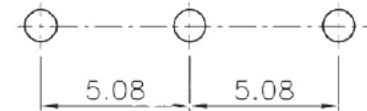
APPROVALS		DATE		深圳市裕诚电子有限公司 SHENZHEN YUCHENG ELECTRONICS CO., LTD.		
DRAWN	J.X.Zhang	2013/6/4				
CHECKED				WEBSITE	www.ycelectron.com	
APPROVALS				PART NO.	M7-1125K	
TOLERANCES ARE		30~0.1	±0.30	ANGLE	UNIT: mm	SCALE: 1:1
		10~30	±0.20			PROJ.
		5~10	±0.15	±2'	DRAWING NO.	
		~ 5	±0.10			SHEET 1 OF 1

ECN NO.	REV.	DATE.	DESCRIPTION.	CHANGE.	CHECK.	APPRO.
	A		NEW			

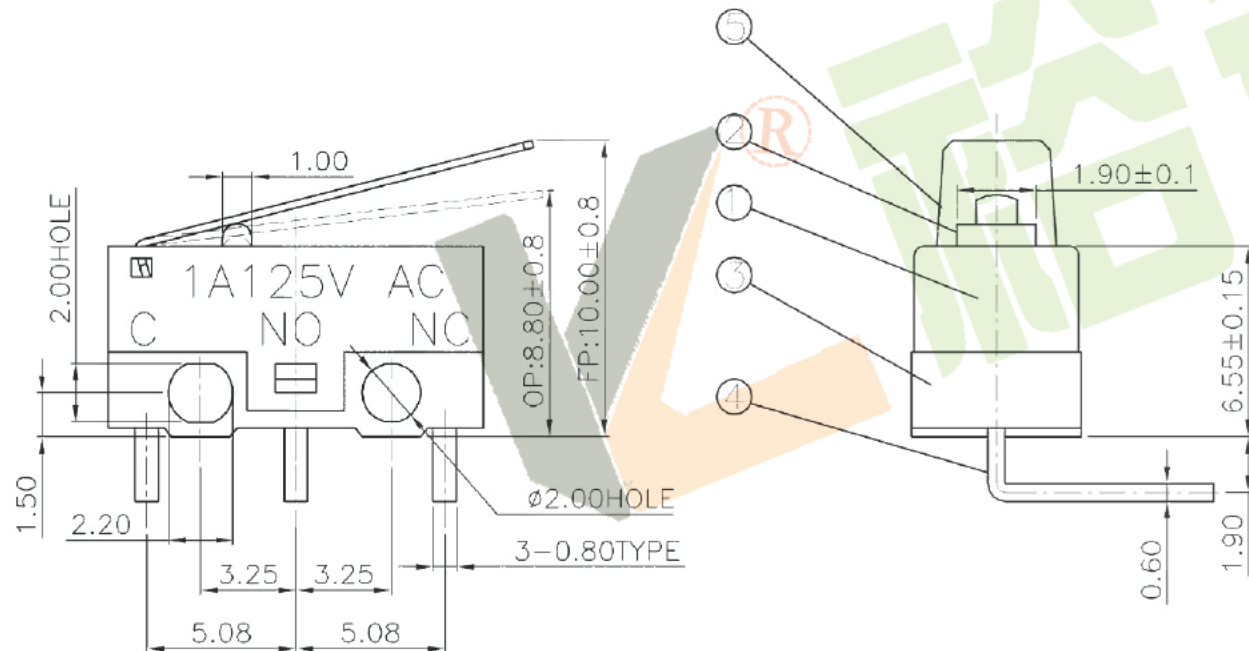
# ROHS



Circuit Diagram



P.C.B layout



NOTE:

1. Rating: DC30V 0.1A
2. OP: 8.80±0.8
3. Operating force: 30±10gf
4. Mechanical Life: 100,000

ITEM	PART NAME	TER'NO.	QTY.	MATERIAL	FINISHING	REMARK
①	Shrapnel	—	1	Beryllium Copper	—	—
②	Contact	—	1	Copper	Plating silver	—
③	Lever	—	1	Stainless Steel	—	—
④	Terminal	—	3	C2680(0.50t)	Plating silver	—
⑤	Housing	—	1	PBT	White	—
⑥	Knob	—	1	POM	Red	—
⑦	Cover	—	1	PBT	Black	—

APPROVALS		DATE		深圳市裕诚电子有限公司 SHENZHEN YUCHENG ELECTRONICS CO., LTD		
DRAWN	J.X.Zhang	2013/6/4				
CHECKED				WEBSITE	www.ycelectron.com	
APPROVALS				PART NO.	M7-1125K	
TOLERANCES ARE		30~0.1	±0.30	ANGLE	UNIT: mm	SCALE: 1:1
		10~30	±0.20			
		5~10	±0.15	SHEET 1 OF 1		
		~ 5	±0.10			

ECN NO.	REV.	DATE.	DESCRIPTION.	CHANGE.	CHECK.	APPRO.
	A		NEW			