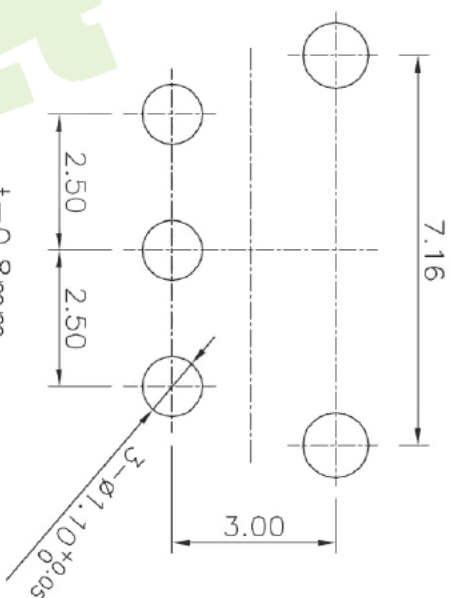
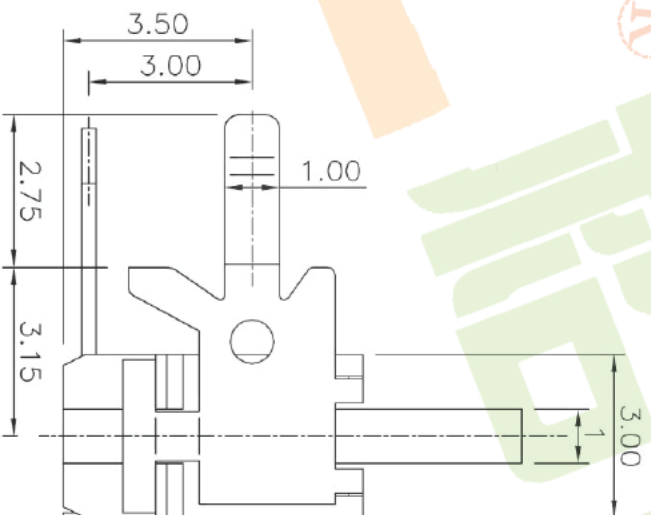
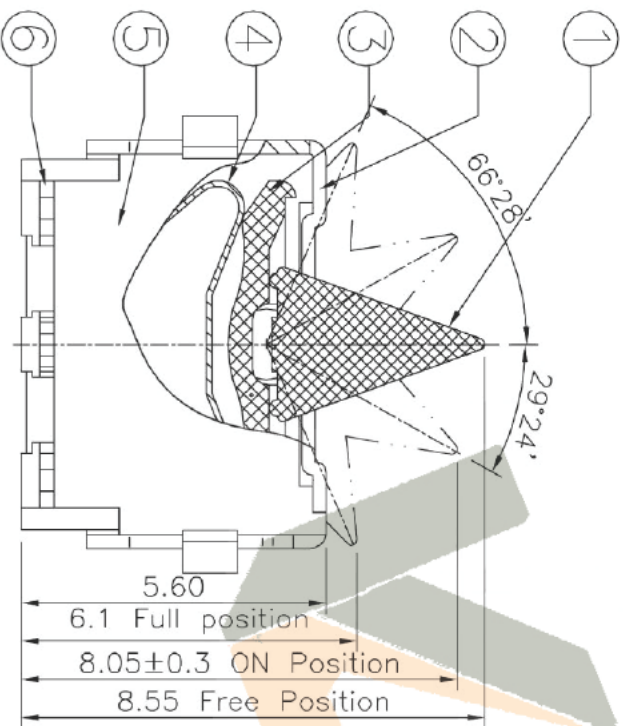


Circuit Diagram



PCB Layout (Pattern side)

t=0.8mm



NOTE:
 Rating: DC 5V 10mA
 Operating Force: 30±10gf
 Lifetime: 50,000 Cycles

ITEM	PART NAME	TER. NO.	QTY.	MATERIAL	FINISHING	REMARK
⑥	Terminal	---	3	Phosphor Bronze	Ag Plated	---
⑤	Housing	---	1	PA46	Black	---
④	Contact Spring	---	1	Be Alloy	Ag Plated	---
③	Frisket	---	1	PA46	Black	---
②	Cover	---	1	SUS	Natural	---
①	Slider	---	1	PA46	Black	---

APPROVALS		DATE
DRAWN	J.X.Zhang	2013/9/3

WEBSITE: www.ycelectron.com

PART NO.: M5-1689A

ECN NO.	REV.	DATE.	DESCRIPTION.	CHANGE.	CHECK.	APPRO.
	A		NEW			

TOLERANCES ARE		ANGLE	UNIT:	SCALE:	PROJ.	SHEET
30~40	±0.30	±2°	mm	1:1	1 OF 1	
10~30	±0.20					
5~10	±0.15					
~5	±0.10					

深圳市裕诚电子有限公司
 SHENZHEN YUCHENG ELECTRONICS CO., LTD