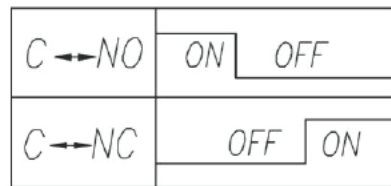
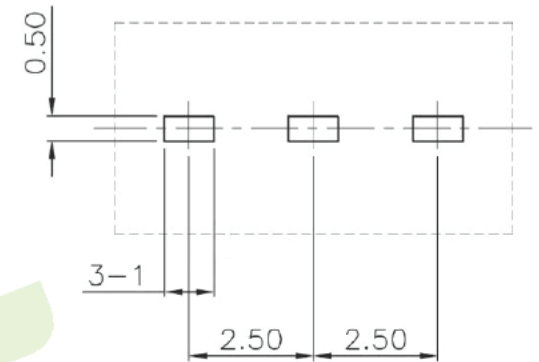


SWITCHING SEQUENCE



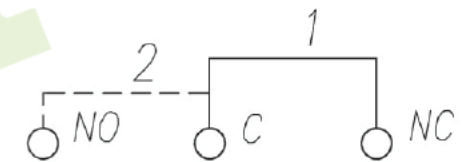
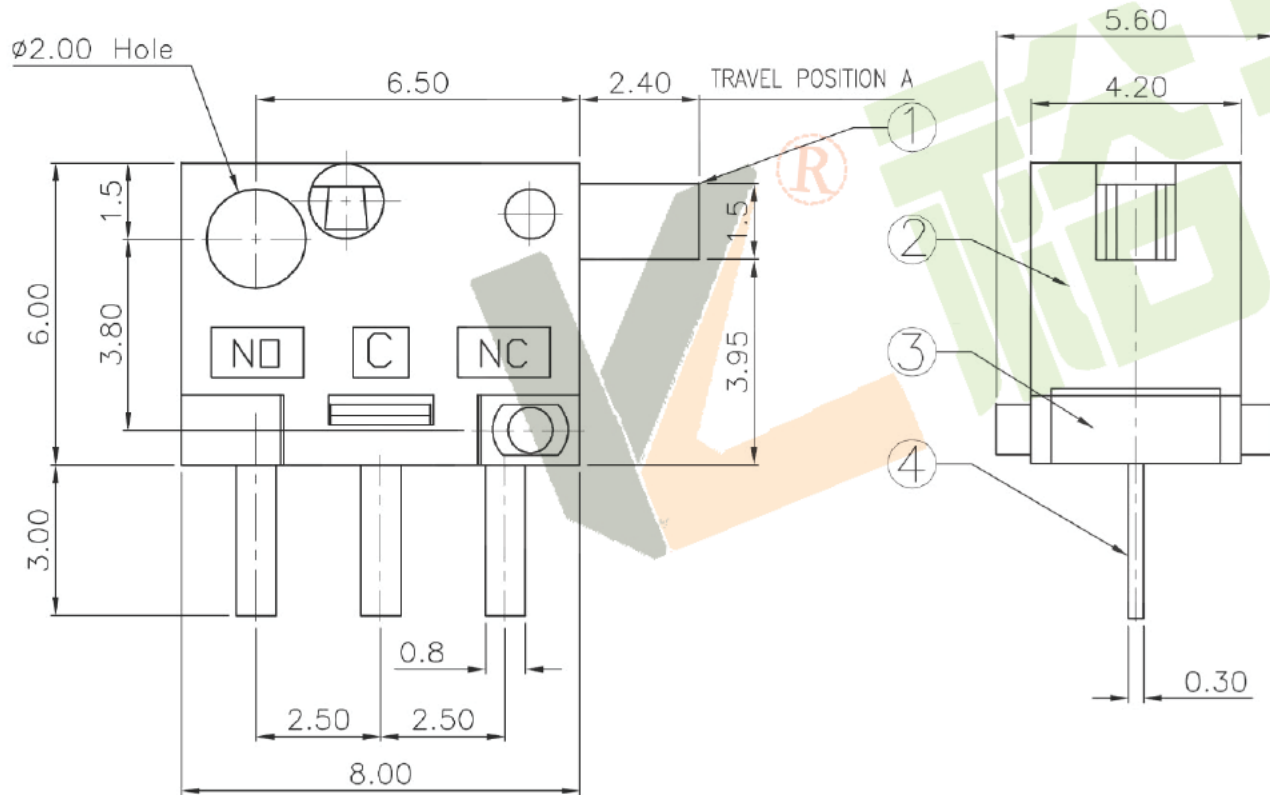
0 0.8 1.5 2.4

TRAVEL POSITION A



Hole Layout(top view)

∅2.00 Hole



Circuit Diagram

NOTE:
Operating Force: 60±20gf

⑥	Spring	—	1	SUS	Natural	——
⑤	Contact Spring	—	1	Phosphor Bronze	Ag Plated	——
④	Terminal	—	3	Phosphor Bronze	Ag Plated	——
③	Base	—	1	NYLON	Black	——
②	Cover	—	1	NYLON	Black	——
①	Knob	—	1	NYLON	White	——
ITEM	PART NAME	TER'NO.	QTY.	MATERIAL	FINISHING	REMARK

APPROVALS

DATE

DRAWN J.X.Zhang 2013/9/13

深圳市裕诚电子有限公司
SHENZHEN YUCHENG ELECTRONICS CO.,LTD

CHECKED

WEBSITE www.ycelectron.com

APPROVALS

PART NO. M5-1672D

TOLERANCES ARE

30~以下	±0.30	ANGLE
10~30	±0.20	
5~10	±0.15	
~ 5	±0.10	

UNIT: mm SCALE: 1:1

±2'

DRAWING NO. SHEET 1 OF 1

ECN NO.	REV. A	DATE.	DESCRIPTION. NEW	CHANGE.	CHECK.	APPRO.
---------	--------	-------	------------------	---------	--------	--------