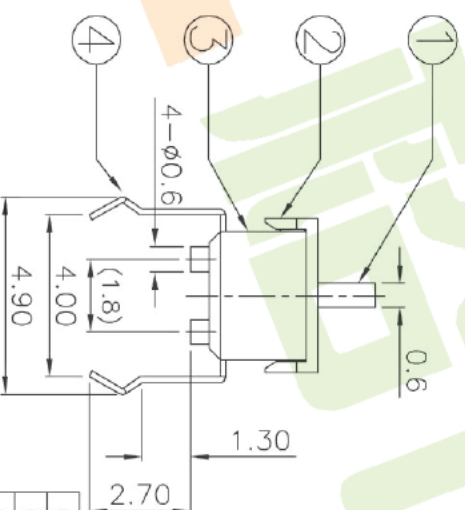
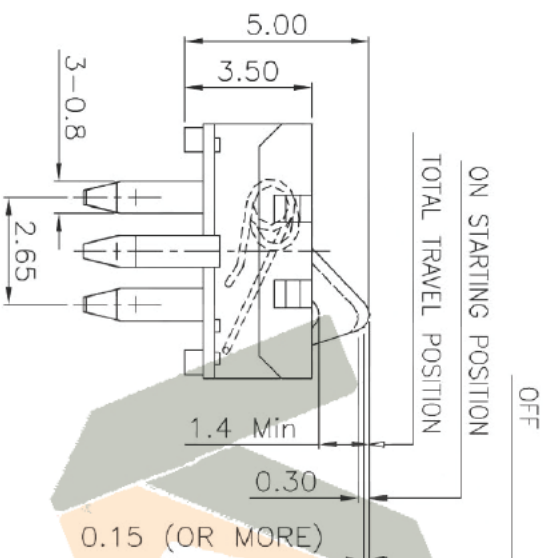


PCB Layout(Pattern side)

Circuit Diagram



NOTE:
 Rating: DC 5V 1mA
 Operating Force: 30±10gf
 Lifetime: 100,000 Cycles

ITEM	PART NAME	TER'NO.	QTY.	MATERIAL	FINISHING	REMARK
⑤	Contact Spring	—	1	Phosphor Bronze	Ag Plated	—
④	Terminal	—	4	Phosphor Bronze	Ag Plated	—
③	Base	—	1	NYLON	Black	—
②	Cover	—	1	NYLON	Black	—
①	Slider	—	1	NYLON	White	—

APPROVALS	DATE
DRAWN	J.X.Zhang
CHECKED	2013/9/12
APPROVALS	

ECN NO.	REV.	DATE.	DESCRIPTION.	CHANGE.	CHECK.	APPRO.
	A		NEW			

TOLERANCES ARE	30~>L.T.	10~>30	±0.30	±0.20	ANGLE	±2°	DRAWING NO.	SHEET
	5~10	±0.15					M5-1627A	1 OF 1

深圳市裕诚电子有限公司
 SHENZHEN YUCHENG ELECTRONICS CO., LTD
 WEBSITE: www.ycelectron.com

PART NO. M5-1627A
 UNIT: mm SCALE: 1:1
 PROJ. SHEET 1 OF 1