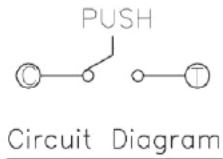


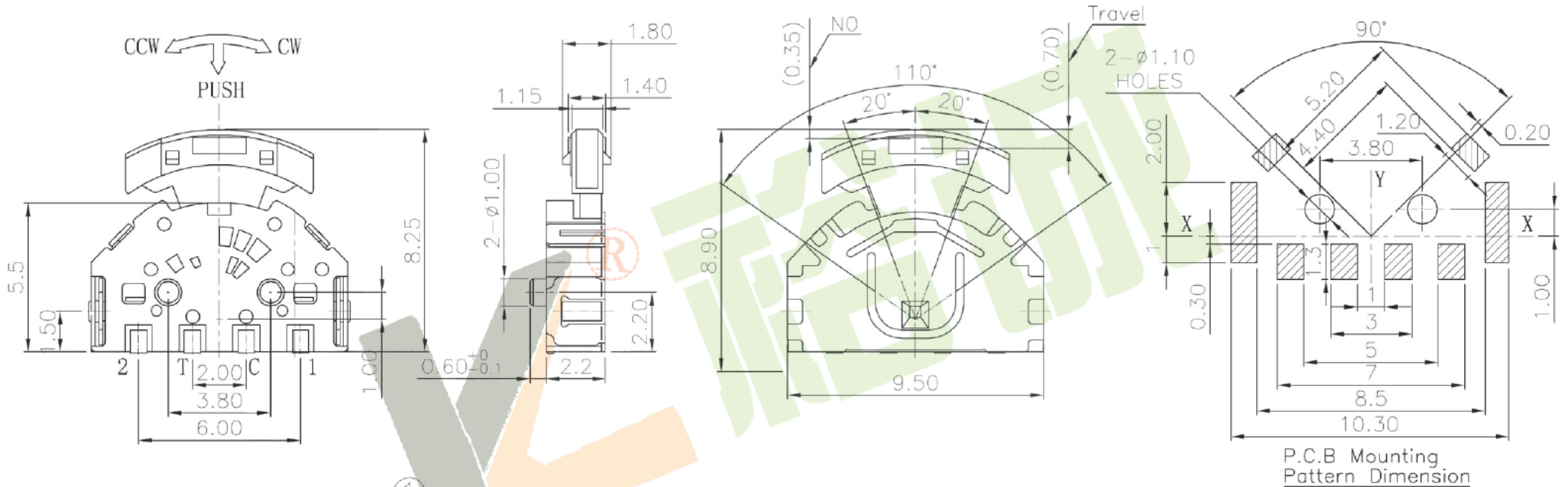
| TER | ANG. | 0° (▨=NO) | | | |
|-----|------|-----------|-------|-------|-------|
| | | (20°) | (15°) | (15°) | (20°) |
| ① | | ▨ | | | |
| ② | | | | | ▨ |
| ③ | | ▨ | ▨ | ▨ | ▨ |

CCW ← → CW

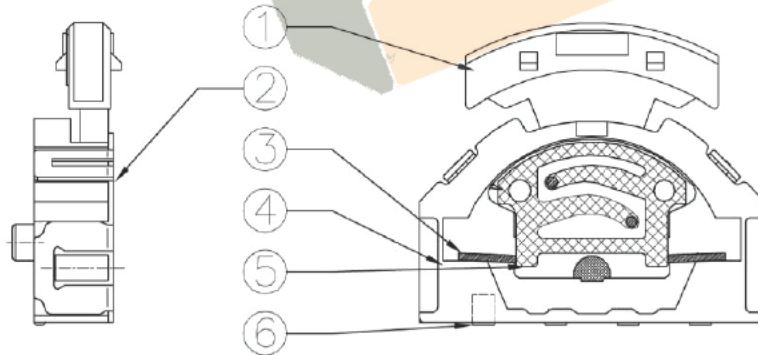
CODE TABLE



NOTE:
 Operating Force:
 lever portion 70 ± 40 gf
 Push portion 250 ± 40 gf
 Travel: -25° 0° $+25^\circ$ Pushportion 0.7 ± 0.1 mm



P.C.B Mounting Pattern Dimension



| ITEM | PART NAME | TER'NO. | QTY. | MATERIAL | FINISHING | REMARK |
|------|-----------|---------|------|--------------|----------------|--------|
| ⑥ | Contact | — | 1 | F.Ag/Brass | Plating silver | — |
| ⑤ | Terminal | — | 4 | Brass(0.15t) | Plating silver | — |
| ④ | Base | — | 1 | Nylon | Black | — |
| ③ | Spring | — | 1 | SUS | Natural | — |
| ② | Cover | — | 1 | SUS | Natural | — |
| ① | Keystoke | — | 1 | Nylon | Black | — |

| | | | | | | | |
|----------------|-----------|-----------|-------|---|--------------------|------------|--------------|
| APPROVALS | | DATE | | 深圳市裕诚电子有限公司 SHENZHEN YUCHENG ELECTRONICS CO.,LTD | | | |
| DRAWN | J.X.Zhang | 2013/8/12 | | | | | |
| CHECKED | | | | WEBSITE | www.ycelectron.com | | |
| APPROVALS | | | | PART NO. | M1-5375H | | |
| TOLERANCES ARE | | 30~以下 | ±0.30 | ANGLE | UNIT: mm | SCALE: 1:1 | PROJ: |
| | | 10~30 | ±0.20 | | | | |
| | | 5~10 | ±0.15 | ±2' | DRAWING NO. | | SHEET 1 OF 1 |
| | | ~ 5 | ±0.10 | | | | |

| ECN NO. | REV. | DATE. | DESCRIPTION. | CHANGE. | CHECK. | APPRO. |
|---------|------|-------|--------------|---------|--------|--------|
| — | A | — | NEW | — | — | — |