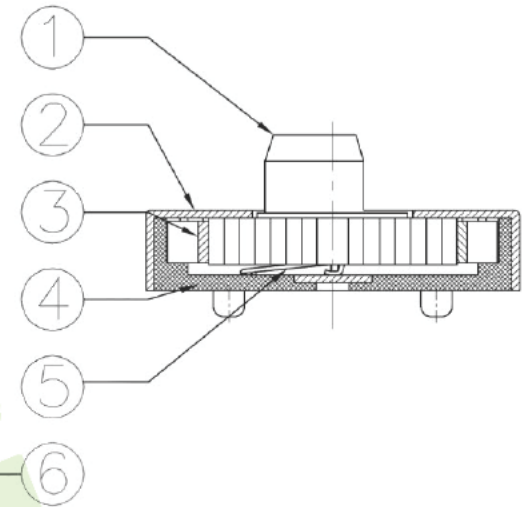
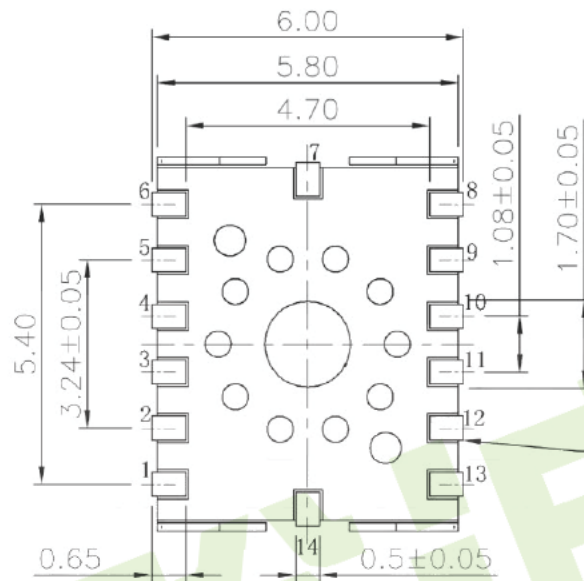
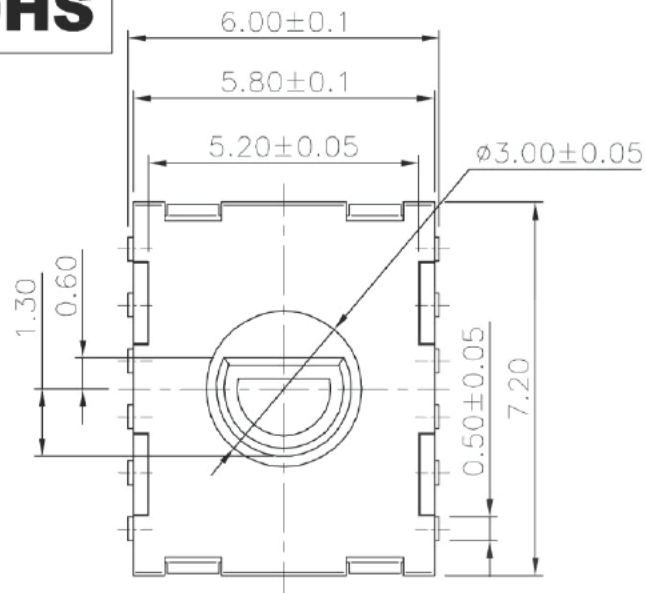
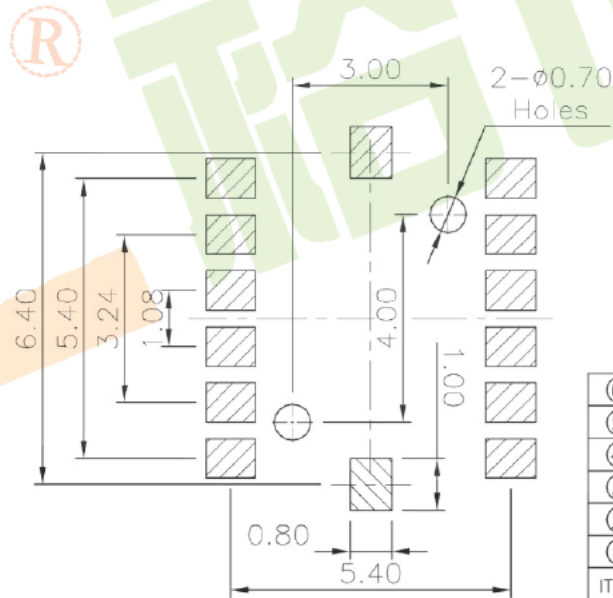
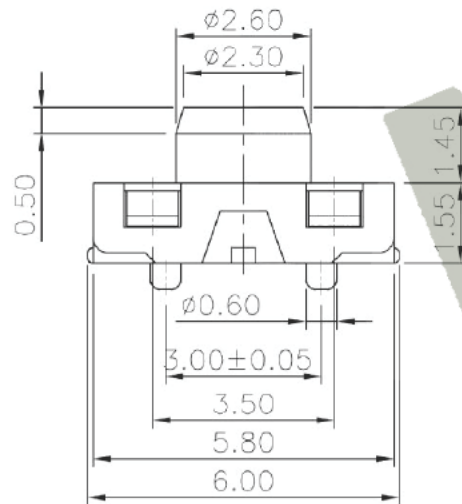


ROHS



	1	2	3	4	5	6	7	8	9	10	11	12	13	14
1	●					●	●							●
2		●												●
3			●											●
4				●										●
5					●									●
6						●	●							●
7							●	●						●
8								●	●					●
9									●	●				●
10										●	●			●

Circuit Diagram



P.C.B Mounting Pattern Dimension

NOTE:
Operating Force: 180±50 gf

⑥	Terminal	—	14	Brass(0.15t)	Plating silver	——
⑤	Contact	—	1	F.Ag/Brass	Plating silver	——
④	Base	—	1	Nylon	Black	——
③	Spring plate	—	1	SUS	Natural	——
②	Cover	—	1	SUS	Natural	——
①	Keystoke	—	1	Nylon	Black	——
ITEM	PART NAME	TER'NO.	QTY.	MATERIAL	FINISHING	REMARK

APPROVALS		DATE		深圳市裕诚电子有限公司 SHENZHEN YUCHENG ELECTRONICS CO.,LTD		
DRAWN	J.X.Zhang	2013/8/12		WEBSITE	www.ycelectron.com	
CHECKED				PART NO.	M1-5221S	
APPROVALS				TOLERANCES ARE	30~以下 ±0.30 10~30 ±0.20 5~10 ±0.15 ~5 ±0.10	ANGLE ±2'
				UNIT: mm	SCALE: 1:1	PROJ:
ECN NO.	REV.	DATE.	DESCRIPTION.	CHANGE.	CHECK.	APPRO.

ECN NO.	REV.	DATE.	DESCRIPTION.	CHANGE.	CHECK.	APPRO.
	A		NEW			