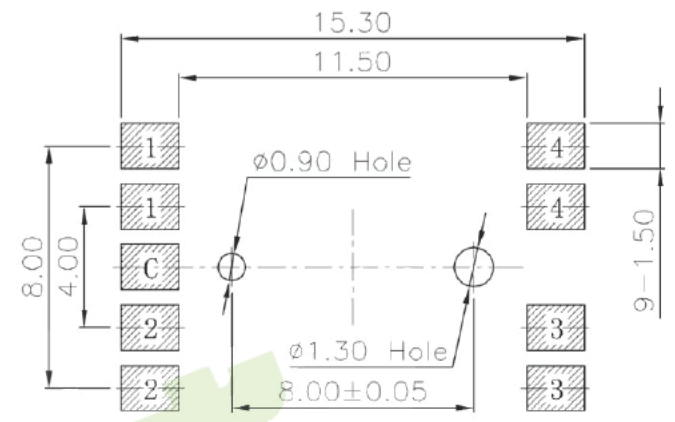
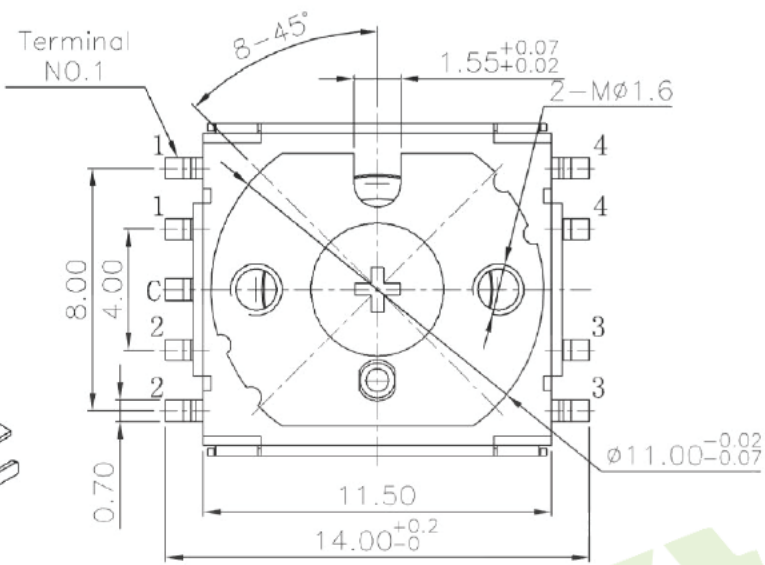
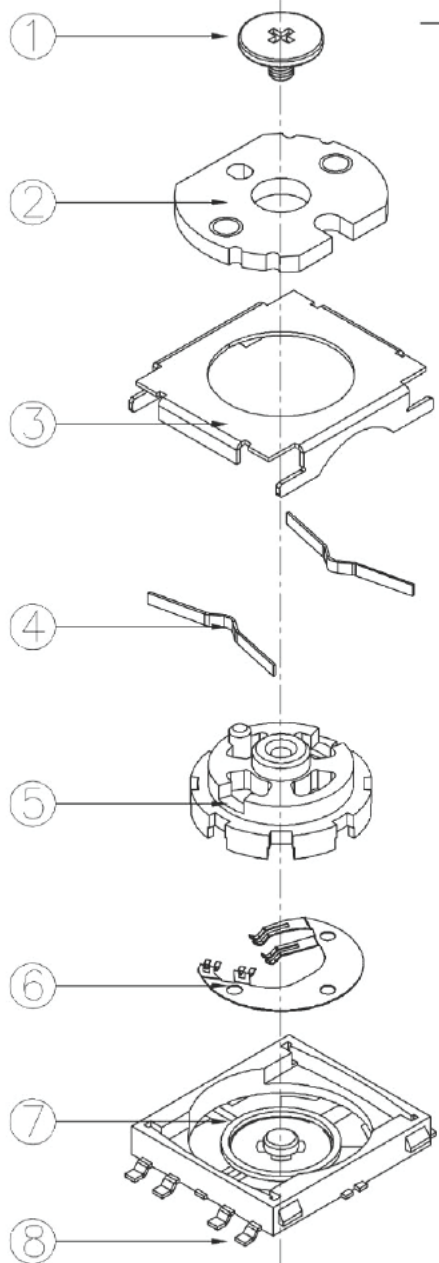
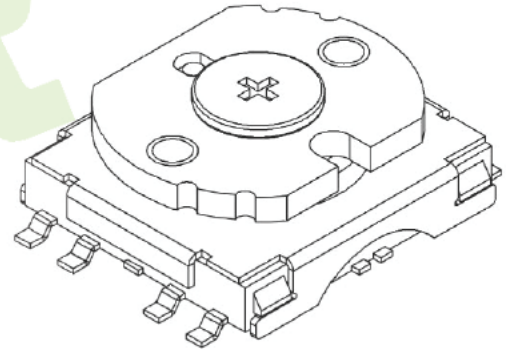
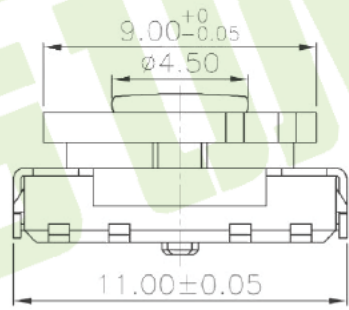
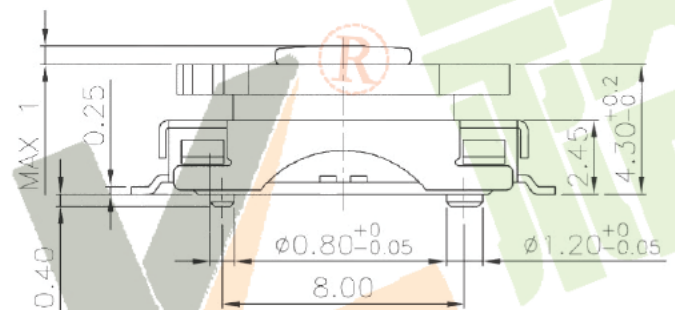


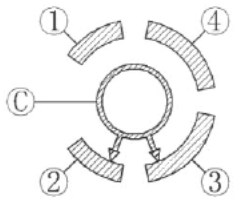
ROHS



PCB Layout(Pattern Side)



Terminal	Direction							
	1	2	3	4	5	6	7	8
C1					•	•		
C2	•							•
C3	•	•						
C4			•	•	•			



Circuit Diagram

NOTE:
Operating Force: 200±20gf

⑧	Terminal	—	9	Brass(0.25t)	Plating silver	—
⑦	Base	—	1	PPA	Brown	—
⑥	Contact	—	1	Brass	Plating silver	—
⑤	Knob	—	1	PP66	Black	—
④	Spring Plate	—	1	SUS	Natural	—
③	Cover	—	1	SUS	Natural	—
②	Locking Plate	—	1	SECC	Plating Nickel	—
①	Bolt	—	1	H62	Plating Nickel	—
ITEM	PART NAME	TER'NO.	QTY.	MATERIAL	FINISHING	REMARK

APPROVALS		DATE	深圳市裕诚电子有限公司 SHENZHEN YUCHENG ELECTRONICS CO., LTD			
DRAWN	J.X.Zhang	2013/8/7	WEBSITE	www.ycelectron.com		
CHECKED			PART NO.	M1-5212D		
APPROVALS			TOLERANCES ARE	30~125μm ±0.30	10~30 ±0.20	ANGLE
				5~10 ±0.15	~5 ±0.10	UNIT: mm
						SCALE: 1:1
						PROJ:
						DRAWING NO.
						SHEET 1 OF 1

ECN NO.	REV.	DATE.	DESCRIPTION.	CHANGE.	CHECK.	APPRO.
	A		NEW			