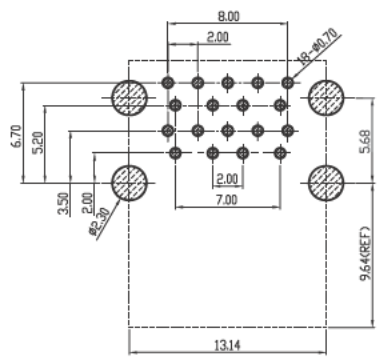
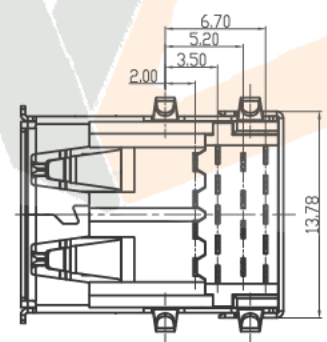
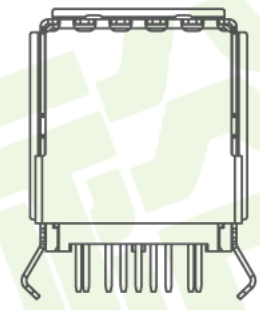
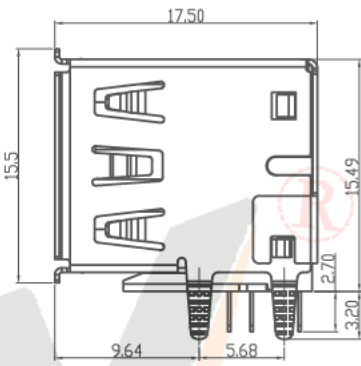
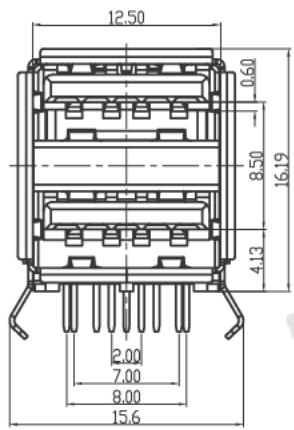
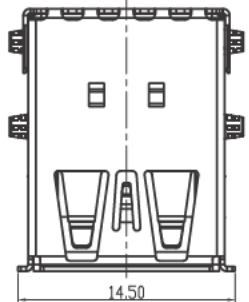


Remark:

- 1.MATERIAL:
 - 1.1 Housing:thermoplastic plastics.
 - 1.2 terminals:Copper Alloy
 - 1.3 Front Shell:Copper Alloy/SPCC.
Middle Shell:SPCC
- 2.characteristics:
 - 2.1 Rating Voltage : 30V AC.
 - 2.2 Rating Current:PIN1&PIN4(Vbus&Correponding ground PIN)
1.8A MAX Other PINS 0.25A min.
 - 2.3 Contact Resistance:PIN1&PIN4:30 mΩ MAX. Other PINS: 50 mΩ
 - 2.4 Insulation Resistance:100 MΩ MIN.
 - 2.5 Withstanding Voltage:AC 100V between adjacent contacts
 - 2.6 Mating force: 3.57Kgf MAX(35N MAX)
 - 2.7 Extraction force:1Kgf Min(9.8N Min)
 - 2.8 Life test:1500Cycles MIN.
 - 2.9 Temperature Range: -30℃~+80℃.

U321-092X-XXX0XR

- 1:Iron alloy
Ni plating
- 5:Copper alloy
Ni plating
- 1:1u"
- 3:3u"
- 5:5u"
- 7:10u'
- 8:15u"
- A:30u"
- 1:tray
- 2:Tube
- 8:Tape&Reel
- 9:Tape&Reel+Mylar
- 1:Black
- 7:Blue 300C
- 8:Blue 300C-1
- C:Blue 300C-2
- E:Blue 300C-3
- 9:Carbon black425C
- 1:PA66
- 2:PBT
- 6:LCP



PCB LAYOUT REFERENCE

TOLERANCE UNLESS OTHERWISE SPECIFIED	
.XXX ±0.10	.X' ±3'
.XX ±0.25	.XX' ±2'
.X ±0.35	

深圳市裕诚电子有限公司
SHENZHEN YUCHENG ELECTRONICS CO., LTD

APPROVED	陈雅	PART NAME:	USB 3.0 AF双层90度短体			
CHECKED	洪章波	PART No:	USB-SF30J			C
DRAWN	魏杰	PROJECTION:	UNIT:	SCALE	SHEET	REV.
DATE	2016.2.5		mm	1:1	1 OF 1	A