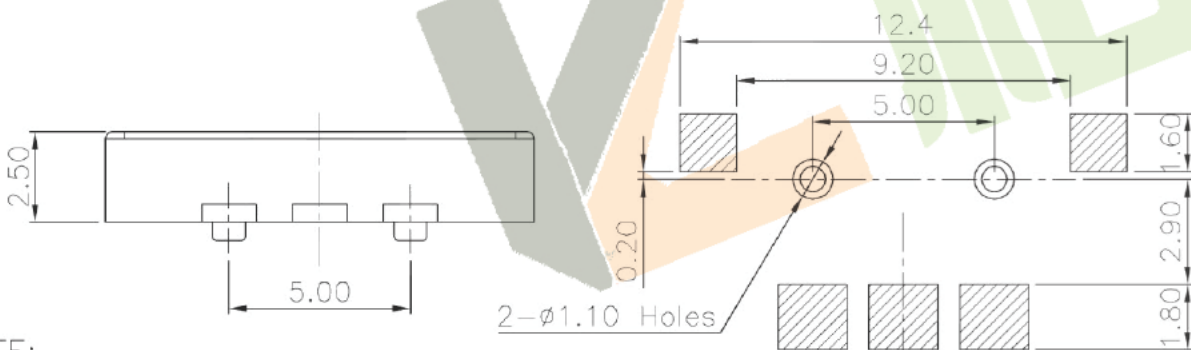
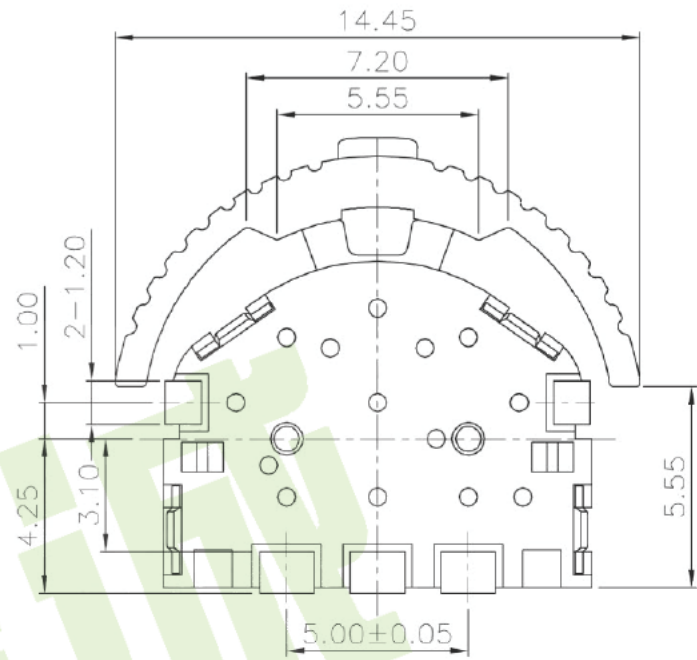
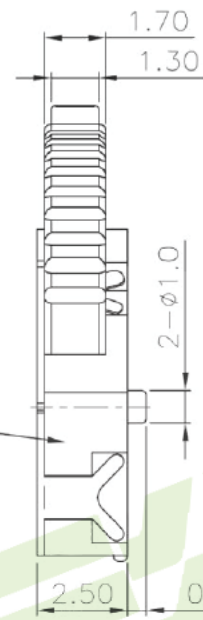
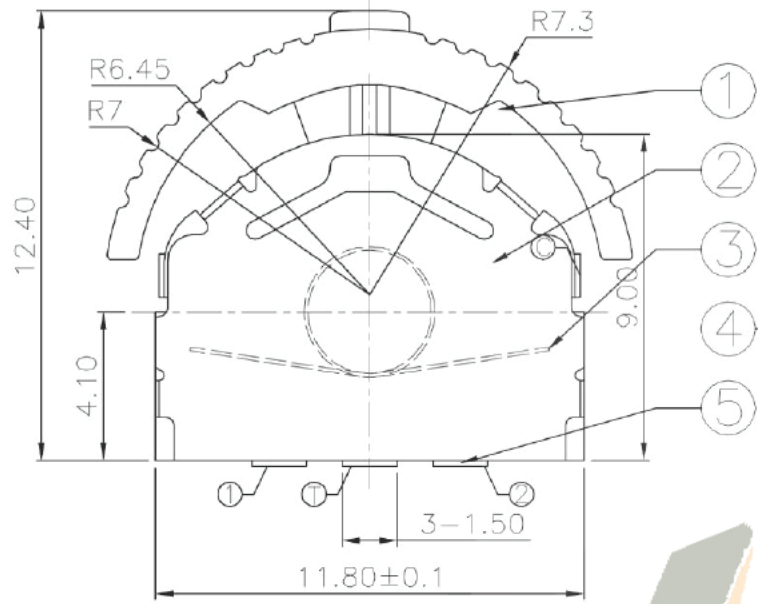
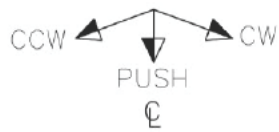
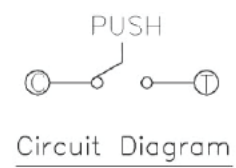


ROHS



TER	ANG	0° (NO)		
		(25°)	(18°)	(18°) (25°)
①				
②				
③				



CODE TABLE

ITEM	PART NAME	TER'NO.	QTY.	MATERIAL	FINISHING	REMARK
⑥	Contact	—	1	F.Ag/Brass	Plating silver	—
⑤	Terminal	—	5	Brass(0.15t)	Plating silver	—
④	Base	—	1	LCP	Black	—
③	Spring	—	1	SUS	Natural	—
②	Cover	—	1	SUS	Natural	—
①	Keystoke	—	1	PA46	Black	—

NOTE:
 Operating Force:
 lever portion 70 ± 40 gf
 Push portion 200 ± 40 gf
 Travel: -25° 0° +25° Pushportion 0.9±0.1mm

P.C.B Mounting
 Pattern Dimension

APPROVALS		DATE		深圳市裕诚电子有限公司 SHENZHEN YUCHENG ELECTRONICS CO.,LTD			
DRAWN	J.X.Zhang	2013/8/8					
CHECKED				WEBSITE	www.ycelectron.com		
APPROVALS				PART NO.	M1-5132S		
TOLERANCES ARE		30~以下 ±0.30	10~30 ±0.20	ANGLE	UNIT: mm	SCALE: 1:1	
		5~10 ±0.15	~ 5 ±0.10	±2'	DRAWING NO.	PROJ:	
ECN NO.	REV.	DATE.	DESCRIPTION.	CHANGE.	CHECK.	APPRO.	SHEET 1 OF 1