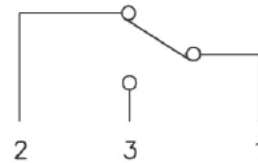
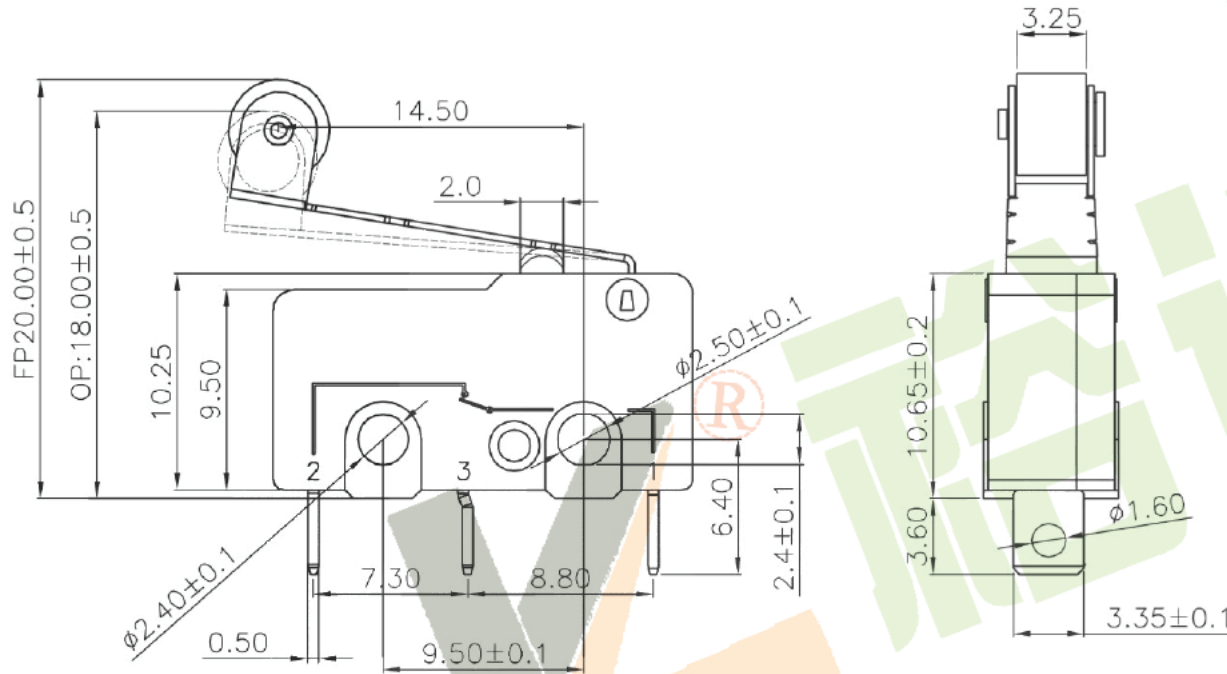
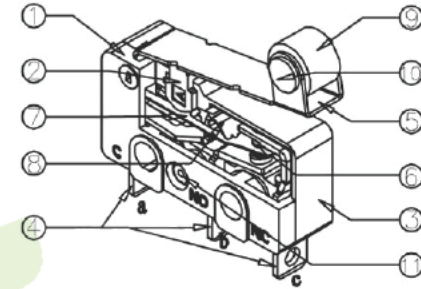
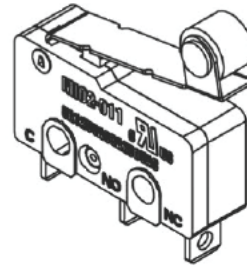
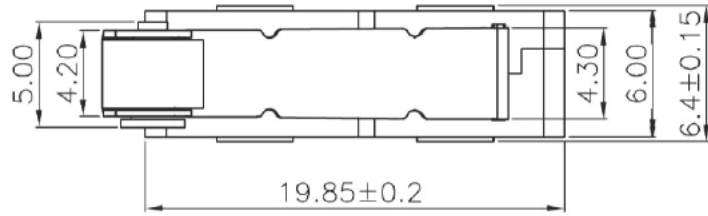


ROHS



NOTE:

- 1. Rating: AC125V 5A/250V 3A
- 2. Operating force: 30±10gf
- 3. Mechanical Life: 1,000,000
- 3. Electrical Life: 6000-10,000

①	Aluminum rivet	—	1	Aluminum Alloy	—	—
⑩	Spindle	—	1	Brass	Plating Nicke	—
⑨	Roller	—	1	Brass	Plating Nicke	—
⑧	Shrapnel 2	—	1	Copper Alloy	—	—
⑦	Shrapnel 1	—	1	Beryllium Copper	—	—
⑥	Contact	—	1	Copper Alloy	Plating silver	—
⑤	Lever	—	1	Stainless Steel	—	—
④	Terminal	—	3	Copper Alloy	Plating silver	—
③	Housing	—	1	PBT	Black	—
②	Knob	—	1	PBT	Black	—
①	Cover	—	1	PBT	Black	—
ITEM	PART NAME	TER'NO.	QTY.	MATERIAL	FINISHING	REMARK

APPROVALS

DATE

DRAWN J.X.Zhang

2014/7/21

深圳市裕诚电子有限公司
SHENZHEN YUCHENG ELECTRONICS CO., LTD

CHECKED

WEBSITE

www.ycelectron.com

APPROVALS

PART NO.

M7-1168P

TOLERANCES ARE

30~Ø1.0 ±0.30
10~20 ±0.25
5~10 ±0.20
~ 5 ±0.20

ANGLE

UNIT: mm

SCALE: 1:1

PROJ:

DRAWING NO.

SHEET 1 OF 1

ECN NO.	REV.	DATE.	DESCRIPTION.	CHANGE.	CHECK.	APPRO.
	A		NEW			