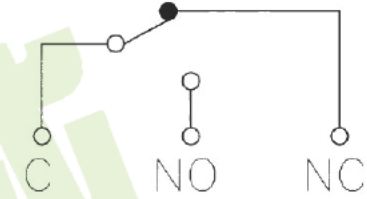
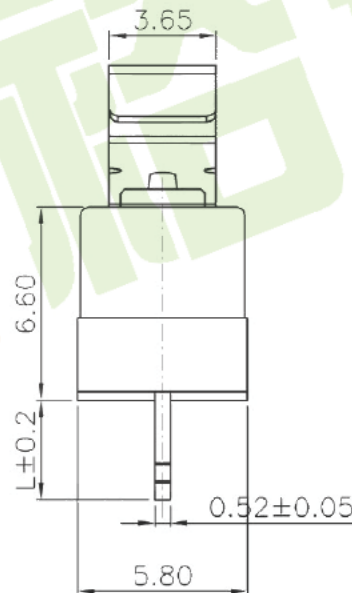
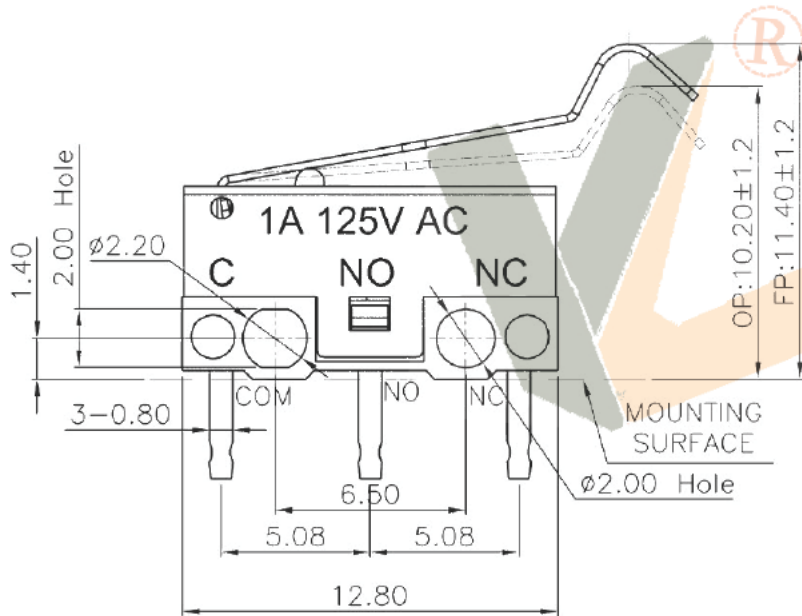


P.C.B layout



Circuit Diagram



NOTE:

- 1.Rating:DC30V 0.1A
- 2.OP:10.20±1.20
- 3.Operating froce:20±10gf
- 4.Mechanical Life:1,000,000

| ITEM | PART NAME | TER'NO. | QTY. | MATERIAL | FINISHING | REMARK |
|------|-----------|---------|------|------------------|----------------|--------|
| ① | Lever | — | 1 | Stainless Steel | — | — |
| ② | Shrapnel | — | 1 | Beryllium Copper | — | — |
| ③ | Contact | — | 1 | Ag | — | — |
| ④ | Terminal | — | 3 | Brass(0.52t) | Plating silver | — |
| ⑤ | Housing | — | 1 | PBT | White | — |
| ⑥ | Knob | — | 1 | POM | White | — |
| ⑦ | Cover | — | 1 | PBT | Black | — |

APPROVALS _____ DATE _____

DRAWN J.X.Zhang 2013/11/6

CHECKED _____ WEBSITE www.ycelectron.com

APPROVALS _____ PART NO. M7-1132P

| | | | | | | |
|----------------|--------|-------|-------------|----------|------------|-------|
| TOLERANCES ARE | 30~0.1 | ±0.30 | ANGLE | UNIT: mm | SCALE: 1:1 | PROJ. |
| | 10~30 | ±0.20 | | | | |
| | 5~10 | ±0.15 | DRAWING NO. | | | |
| | ~ 5 | ±0.10 | | | | |

| ECN NO. | REV. | DATE. | DESCRIPTION. | CHANGE. | CHECK. | APPRO. |
|---------|------|-------|--------------|---------|--------|--------|
| — | A | — | NEW | — | — | — |

深圳市裕诚电子有限公司
SHENZHEN YUCHENG ELECTRONICS CO., LTD