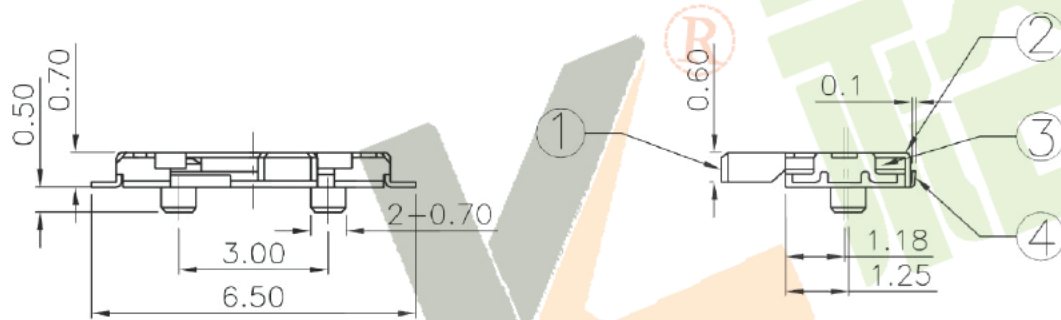
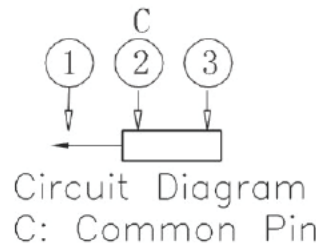


PCB Layout (Pattern side)

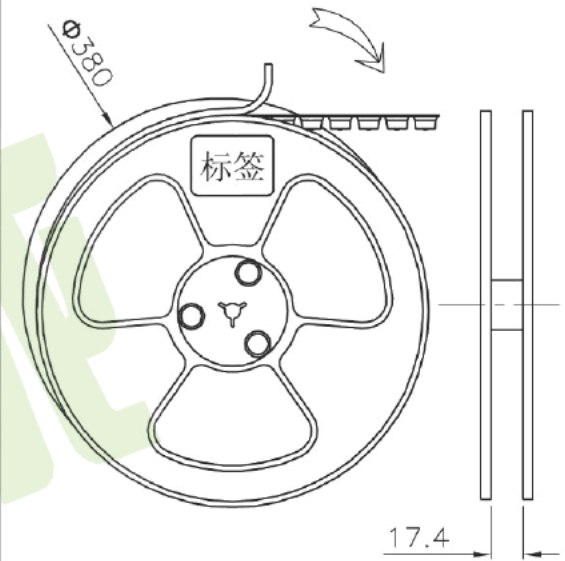


Typical Specifications :

1. Rating : DC 4V 0.3A
2. Life: 10,000 Cycles Min.
3. Operating force:  $100^{+100}_{-50}$ gf
4. Travel: 1.40mm



包装规格: 载带包装



数量 (PCS) :  
1盘: 5000

ITEM	PART NAME	TER'NO.	QTY.	MATERIAL	FINISHING	REMARK
⑤	Contact Spring	—	1	Phosphor Bronze	Ag Plated	—
④	Terminal	—	3	Phosphor Bronze	Ag Plated	—
③	Base	—	1	NYLON	Black	—
②	Cover	—	1	SUS	Sn Plated	—
①	KNOB	—	1	NYLON	Black	—

APPROVALS		DATE	深圳市裕诚电子有限公司 SHENZHEN YUCHENG ELECTRONICS CO.,LTD					
DRAWN	xu qi feng	2014.11.07	WEBSITE	www.ycelectron.com				
CHECKED			PART NO.	M3-2569S				
APPROVALS			TOLERANCES ARE	30~以下 ±0.30 10~30 ±0.20 5~10 ±0.15 ~5 ±0.10	ANGLE ±2'	UNIT: mm	SCALE: 1:1	PROJ:
ECN NO.	REV.	DATE.	DESCRIPTION.	CHANGE.	CHECK.	APPRO.	DRAWING NO.	SHEET 1 OF 1

ECN NO.	REV.	DATE.	DESCRIPTION.	CHANGE.	CHECK.	APPRO.
	A		NEW			