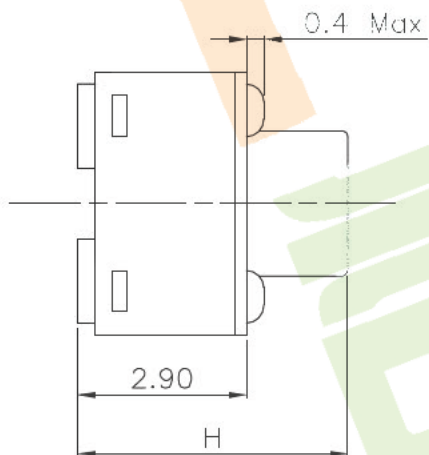
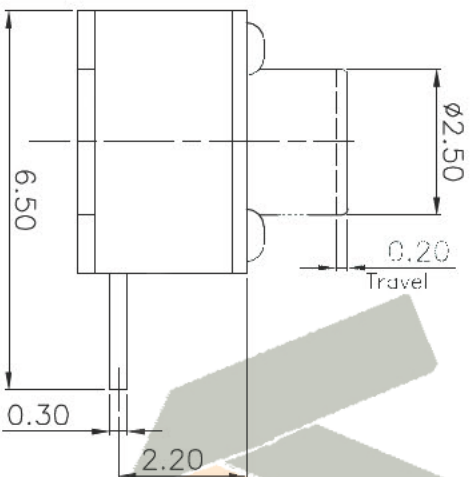


PCB Layout(Pattern Side)

Circuit diagram



NO.1	
PART NO	H
A	2.8
B	4.3
C	4.8
D	5
E	5.5
F	6
G	6.5
H	7
I	7.5
J	8
K	8.5
L	9

NO.2	
PART NO	Material
1	90±.30
2	1.30±.30
3	1.80±.30
4	2.50±.30
5	3.50±.50

NO.3	
PART NO	MATERIAL/QTY
S	SUS/1PC
C	C5210/1PC
D	SUS/2PCS
F	C5210/2PCS

NO.4-NO.5	
PART NO	NOTE
01~99	SERIAL NUMBER

ITEM	PART NAME	TER'NO.	QTY.	MATERIAL	FINISHING	REMARK
⑤	Terminal	—	3	Brass(0.30t)	Plating silver	
④	Contact	—	1	F.Ag/SUS		
③	Base	—	1	PA46	Black	
②	Cover	—	1	SUS		
①	Keystroke	—	1	PA46	Black	

APPROVALS		DATE	
DRAWN	JKUN.LU	2013/6/24	

**深圳市裕城电子有限公司**  
 SHENZHEN YUCHENG ELECTRONICS CO., LTD

ECN NO.	REV	DATE.	DESCRIPTION.	CHANGE.	CHECK.	APPRO.
	A		NEW			

CHECKED		WEBSITE	
APPROVALS		www.ycelectron.com	
TOLERANCES ARE	30~ø±.1 ±0.30 10~30 ±0.20 5~10 ±0.15 ~5 ±0.10	ANGLE	±2°
		UNIT: mm	SCALE: 1:1
		DRAWING NO.	PROJ. SHEET 1 OF 1

**M2-1816A**