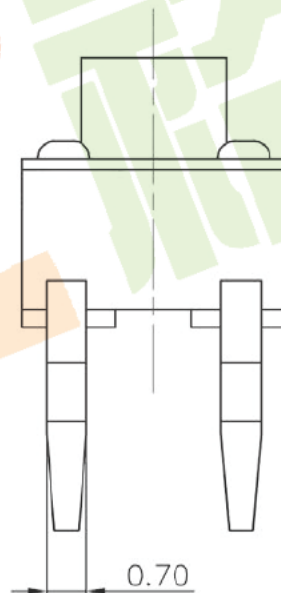
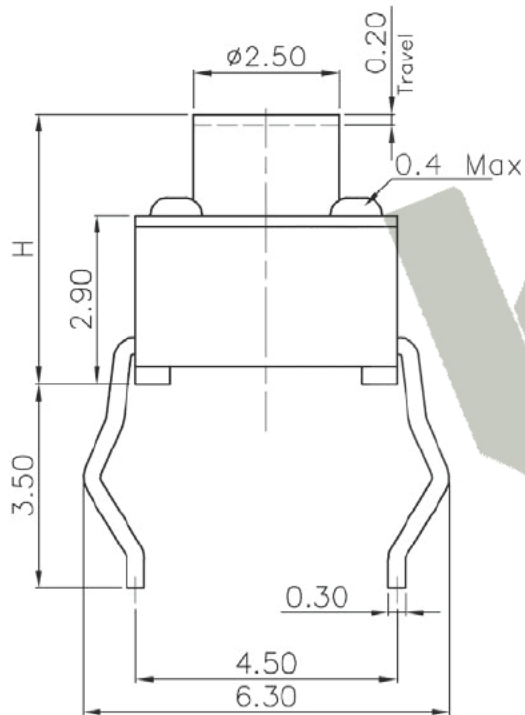


PCB Layout(Pattern Side)



| NO.1    |     |
|---------|-----|
| PART NO | H   |
| A       | 3.8 |
| B       | 4.3 |
| C       | 4.8 |
| D       | 5   |
| E       | 5.5 |
| F       | 6   |
| G       | 6.5 |
| H       | 7   |
| I       | 7.5 |
| J       | 8   |
| K       | 8.5 |
| L       | 9   |

| NO.2    |        |
|---------|--------|
| PART NO | vigor  |
| 1       | 90±30  |
| 2       | 130±30 |
| 3       | 180±30 |
| 4       | 250±30 |
| 5       | 350±50 |

| NO.3    |              |
|---------|--------------|
| PART NO | MATERIAL/QTY |
| S       | SUS/1PC      |
| C       | C5210/1PC    |
| D       | SUS/2PCS     |
| F       | C5210/2PCS   |

| NO.4-NO.5 |               |
|-----------|---------------|
| PART NO   | NOTE          |
| 01~99     | SERIAL NUMBER |

| ITEM | PART NAME | TER'NO. | QTY. | MATERIAL     | FINISHING      | REMARK |
|------|-----------|---------|------|--------------|----------------|--------|
| ⑤    | Terminal  | —       | 4    | Brass(0.30t) | Plating silver | —      |
| ④    | Contact   | —       | 1    | F.Ag/SUS     | —              | —      |
| ③    | Base      | —       | 1    | PA46         | Black          | —      |
| ②    | Cover     | —       | 1    | SUS          | —              | —      |
| ①    | Keystoke  | —       | 1    | PA46         | Black          | —      |

|           |           |           |   |  |         |       |       |       |      |       |     |       |       |          |            |       |
|-----------|-----------|-----------|---|--|---------|-------|-------|-------|------|-------|-----|-------|-------|----------|------------|-------|
| APPROVALS |           | DATE      | 深圳市裕诚电子有限公司<br>SHENZHEN YUCHENG ELECTRONICS CO.,LTD |  |         |       |       |       |      |       |     |       |       |          |            |       |
| DRAWN     | J.X.Zhang | 2013/6/24 | WEBSITE   | www.ycelectron.com   |         |       |       |       |      |       |     |       |       |          |            |       |
| CHECKED   |           |           | PART NO.  | M2-3989D   |         |       |       |       |      |       |     |       |       |          |            |       |
| APPROVALS |           |           | TOLERANCES ARE                                      | <table border="1"> <tr><td>30~12.1</td><td>±0.30</td></tr> <tr><td>10~30</td><td>±0.20</td></tr> <tr><td>5~10</td><td>±0.15</td></tr> <tr><td>~ 5</td><td>±0.10</td></tr> </table> | 30~12.1 | ±0.30 | 10~30 | ±0.20 | 5~10 | ±0.15 | ~ 5 | ±0.10 | ANGLE | UNIT: mm | SCALE: 1:1 | PROJ: |
| 30~12.1   | ±0.30     |           |   |  |         |       |       |       |      |       |     |       |       |          |            |       |
| 10~30     | ±0.20     |           |   |  |         |       |       |       |      |       |     |       |       |          |            |       |
| 5~10      | ±0.15     |           |   |  |         |       |       |       |      |       |     |       |       |          |            |       |
| ~ 5       | ±0.10     |           |   |  |         |       |       |       |      |       |     |       |       |          |            |       |
|           |           |           | DRAWING NO.   | SHEET 1 OF 1   |         |       |       |       |      |       |     |       |       |          |            |       |

| ECN NO. | REV | DATE. | DESCRIPTION. | CHANGE. | CHECK. | APPRO. |
|---------|-----|-------|--------------|---------|--------|--------|
|         | A   |       | NEW          |         |        |        |