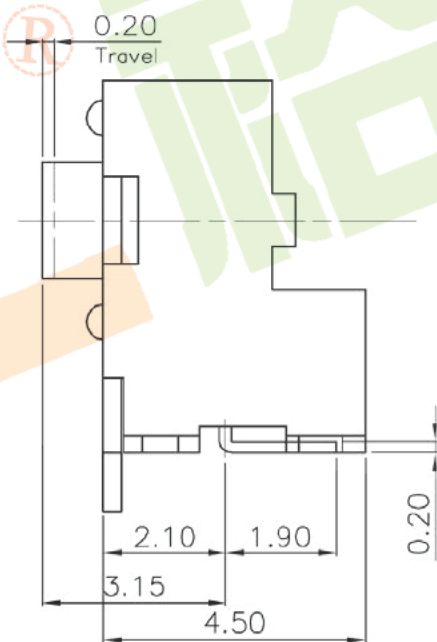
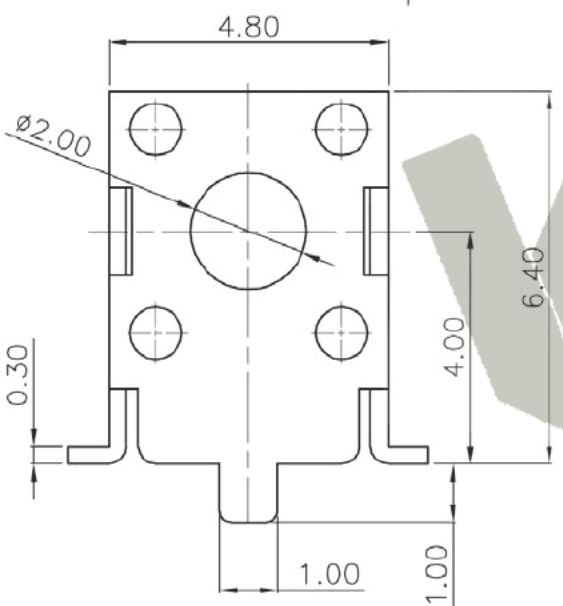


Circuit diagram

NO.1	
PART NO	vigor
1	90±30
2	130±30
3	180±30
4	250±30
5	350±50

NO.2	
PART NO	MATERIAL/QTY
S	SUS/1PC
C	C5210/1PC
D	SUS/2PCS
F	C5210/2PCS

NO.3-NO.4	
PART NO	NOTE
01~99	SERIAL NUMBER



ITEM	PART NAME	TER'NO.	QTY.	MATERIAL	FINISHING	REMARK
⑤	Terminal	—	2	Brass(0.20t)	Plating silver	—
④	Contact	—	1	F.Ag/SUS	—	—
③	Base	—	1	NYLON	Black	—
②	Cover	—	1	SUS	—	—
①	Keystoke	—	1	NYLON	Black	—

APPROVALS _____ DATE _____
 DRAWN xu qi feng 2014/10/22

深圳市裕诚电子有限公司
 SHENZHEN YUCHENG ELECTRONICS CO.,LTD

CHECKED _____ WEBSITE www.ycelectron.com
 APPROVALS _____ PART NO. **M2-3990A**

TOLERANCES ARE: 30~100: ±0.30 ANGLE UNIT: mm SCALE: 1:1 PROJ:
 10~30: ±0.20
 5~10: ±0.15 ±2'
 ~ 5: ±0.10 DRAWING NO. _____ SHEET 1 OF 1

ECN NO.	REV	DATE.	DESCRIPTION.	CHANGE.	CHECK.	APPRO.
—	A	—	NEW	—	—	—