

PCB Layout(Pattern Side)

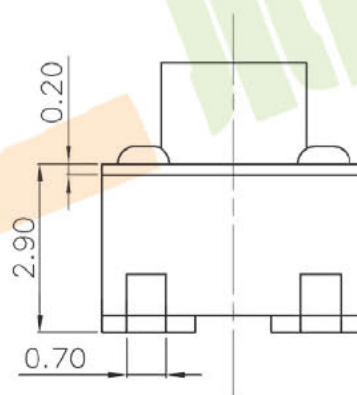
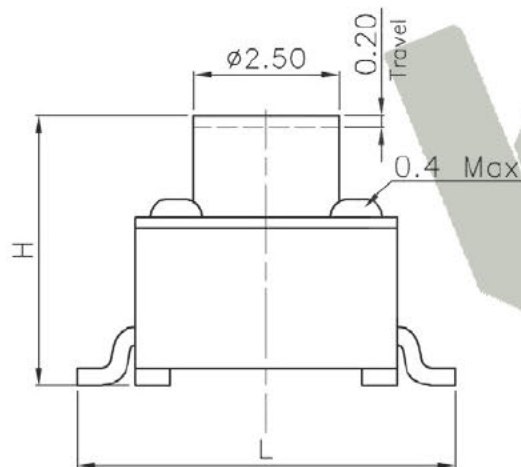
NO.1	
PART NO	H
A	3.8
B	4.3
C	4.8
D	5
E	5.5
F	6
G	6.5
H	7
I	7.5
J	8
K	8.5
L	9

NO.2	
PART NO	vigor
1	90±30
2	130±30
3	180±30
4	250±30
5	350±50

NO.4		
PART NO	L	L1
A	6.5	7.5
B	7.5	8.5

NO.3	
PART NO	MATERIAL/QT
S	SUS/1PC
C	C5210/1PC
D	SUS/2PCS
F	C5210/2PCS

NO.5-NO.6	
PART NO	NOTE
01~99	SERIAL NUMBER



⑤	Terminal	—	4	Brass(0.30t)	Plating silver	—
④	Contact	—	1	F.Ag/SUS	—	—
③	Base	—	1	PA46	Black	—
②	Cover	—	1	SUS	—	—
①	Keystoke	—	1	PA46	Black	—
ITEM	PART NAME	TER'NO.	QTY.	MATERIAL	FINISHING	REMARK

APPROVALS		DATE	深圳市裕诚电子有限公司 SHENZHEN YUCHENG ELECTRONICS CO.,LTD				
DRAWN	J.X.Zhang	2013/6/24	WEBSITE www.ycelectron.com				
CHECKED			PART NO. M2-3992D				
APPROVALS			SCALE: 1:1				
TOLERANCES ARE		30~12.1 ±0.30	10~30 ±0.20	ANGLE	UNIT: mm	SCALE: 1:1	
		5~10 ±0.15	~ 5 ±0.10	±2'	DRAWING NO.	PROJ:	
ECN NO.	REV	DATE.	DESCRIPTION.	CHANGE.	CHECK.	APPRO.	SHEET 1 OF 1

ECN NO.	REV	DATE.	DESCRIPTION.	CHANGE.	CHECK.	APPRO.
	A		NEW			