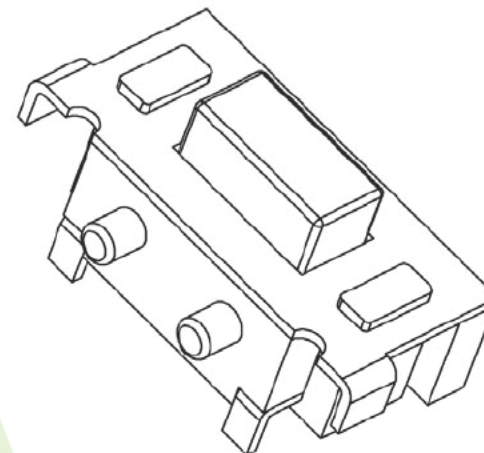
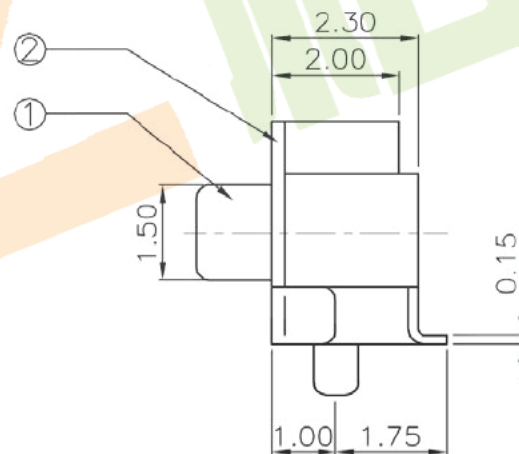
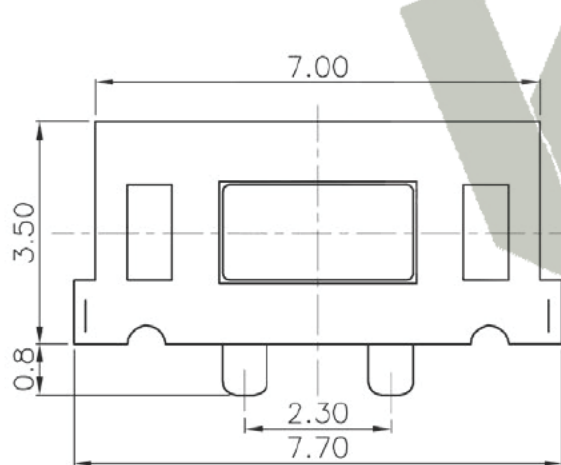


PCB Layout recommended



Circuit diagram



NO.1	
PART NO	vigor
1	90±30
2	130±30
3	180±30
4	250±30
5	350±50

NO.3-NO.4	
PART NO	NOTE
01~99	SERIAL NUMBER

NO.2	
PART NO	MATERIAL/QTY
S	SUS/1PC
D	SUS/2PCS

PART NO.	
K2-1112SA	K2-1112SN

ITEM	PART NAME	TER'NO.	QTY.	MATERIAL	FINISHING	REMARK
5	Terminal	—	2	Phosphor Bronze	Plating silver	—
4	Contact	—	2	F.Ag/SUS	Natural	—
3	Base	—	1	Nylon	White	—
2	Cover	—	1	Brass(0.20t)	Plating Nickel	—
1	Keystoke	—	1	Nylon	Black	—

APPROVALS		DATE	深圳市裕诚电子有限公司 SHENZHEN YUCHENG ELECTRONICS CO., LTD													
DRAWN	J.X.Zhang	2013/6/30	WEBSITE	www.ycelectron.com												
CHECKED			PART NO.	M2-3967D												
APPROVALS			TOLERANCES ARE	<table border="1"> <tr> <td>30~12.1</td> <td>±0.30</td> </tr> <tr> <td>10~30</td> <td>±0.20</td> </tr> <tr> <td>5~10</td> <td>±0.15</td> </tr> <tr> <td>~ 5</td> <td>±0.10</td> </tr> </table>	30~12.1	±0.30	10~30	±0.20	5~10	±0.15	~ 5	±0.10	ANGLE	UNIT: mm	SCALE: 1:1	PROJ:
30~12.1	±0.30															
10~30	±0.20															
5~10	±0.15															
~ 5	±0.10															
ECN NO.	REV.	DATE.	DESCRIPTION.	CHANGE.	CHECK.	APPRO.	DRAWING NO.	SHEET 1 OF 1								

ECN NO.	REV.	DATE.	DESCRIPTION.	CHANGE.	CHECK.	APPRO.
	A		NEW			