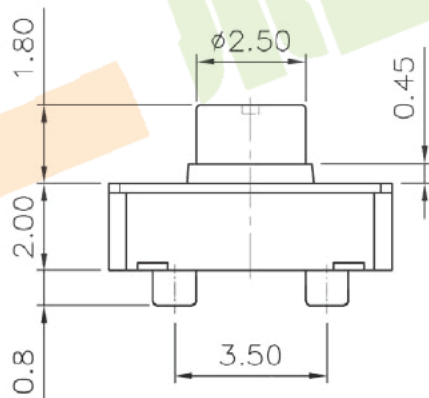
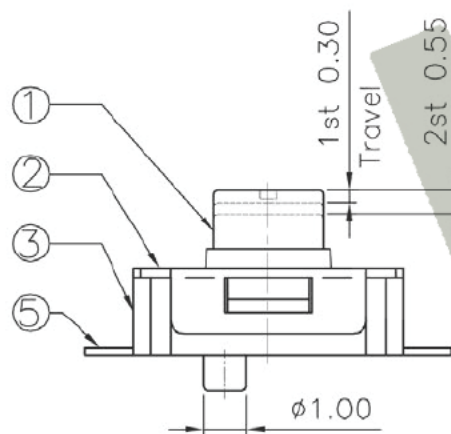


Circuit Diagram

PCB Layout (Pattern side)



NOTE:
Operating Force:
1 st 100 ± 40 gf
2 st 250 ± 80 gf

NO.1-NO.2	
PART NO	NOTE
01~99	SERIAL NUMBER

ITEM	PART NAME	TER'NO.	QTY.	MATERIAL	FINISHING	REMARK
⑤	Terminal	—	4	Phosphor Bronze	Plating silver	—
④	Contact	—	1	F.Ag/SUS	Plating silver	—
③	Base	—	1	Nylon	White	—
②	Cover	—	1	SUS	Natural	—
①	Keystoke	—	1	Nylon	White	—

APPROVALS		DATE	深圳市裕诚电子有限公司 SHENZHEN YUCHENG ELECTRONICS CO.,LTD													
DRAWN	J.X.Zhang	2013/5/30	WEBSITE	www.ycelectron.com												
CHECKED			PART NO.	M2-3982D												
APPROVALS			TOLERANCES ARE	<table border="1"> <tr> <td>30~120</td> <td>±0.30</td> </tr> <tr> <td>10~30</td> <td>±0.20</td> </tr> <tr> <td>5~10</td> <td>±0.15</td> </tr> <tr> <td>~ 5</td> <td>±0.10</td> </tr> </table>	30~120	±0.30	10~30	±0.20	5~10	±0.15	~ 5	±0.10	ANGLE	UNIT: mm	SCALE: 1:1	PROJ:
30~120	±0.30															
10~30	±0.20															
5~10	±0.15															
~ 5	±0.10															
ECN NO.	REV.	DATE.	DESCRIPTION.	CHANGE.	CHECK.	APPRO.	DRAWING NO.	SHEET 1 OF 1								

ECN NO.	REV.	DATE.	DESCRIPTION.	CHANGE.	CHECK.	APPRO.
	A		NEW			