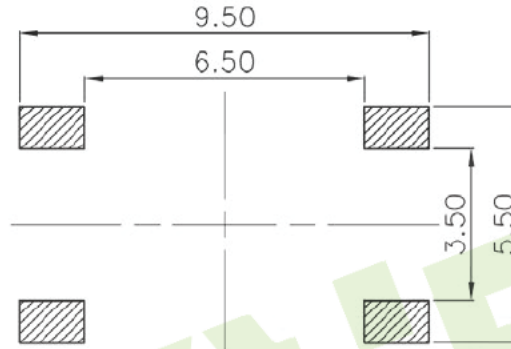
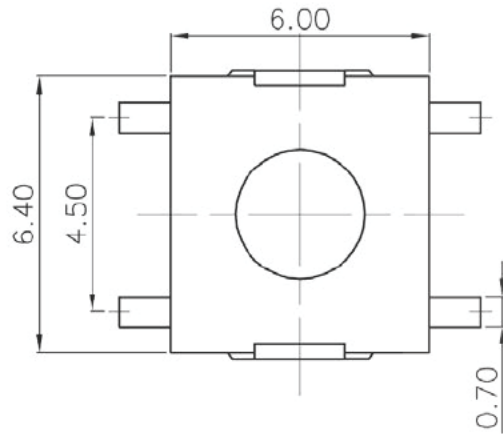


Circuit Diagram

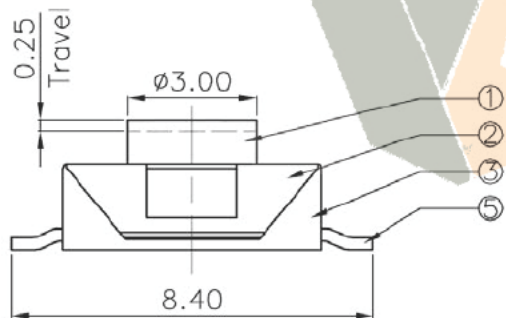


| NO.1 | |
|---------|-----|
| PART NO | H |
| B | 2.5 |
| C | 3.1 |
| D | 3.4 |
| E | 5.5 |

| NO.3 | |
|---------|--------------|
| PART NO | MATERIAL/QTY |
| S | SUS/1PC |
| C | C5210/1PC |
| D | SUS/2PCS |
| F | C5210/2PCS |

| NO.2 | |
|---------|--------|
| PART NO | vigor |
| 1 | 90±30 |
| 2 | 130±30 |
| 3 | 180±30 |
| 4 | 250±30 |
| 5 | 350±50 |

| NO.4-NO.5 | |
|-----------|---------------|
| PART NO | NOTE |
| 01~99 | SERIAL NUMBER |



| ⑤ | Terminal | — | 4 | Copper(0.3t) | Plating silver | — |
|------|-----------|---------|------|--------------|----------------|--------|
| ④ | Contact | — | 1 | F.Ag/C5210 | Natural | — |
| ③ | Base | — | 1 | Nylon | Black | — |
| ② | Cover | — | 1 | Brass(0.15t) | Plating Nickel | — |
| ① | Keystoke | — | 1 | Nylon | Red | — |
| ITEM | PART NAME | TER'NO. | QTY. | MATERIAL | FINISHING | REMARK |

| | | | | | | |
|-----------|-----------|-----------|--|-------------|--------------|------------|
| APPROVALS | | DATE | 深圳市裕诚电子有限公司 SHENZHEN YUCHENG ELECTRONICS CO., LTD | | | |
| DRAWN | J.X.Zhang | 2013/7/17 | WEBSITE www.ycelectron.com | | | |
| CHECKED | | | PART NO. M2-1861A | | | |
| APPROVALS | | | TOLERANCES ARE | | | |
| | | | 30~120 | ±0.30 | ANGLE | UNIT: mm |
| | | | 10~30 | ±0.20 | | |
| | | | 5~10 | ±0.15 | | |
| | | | ~ 5 | ±0.10 | | |
| | | | ±2' | DRAWING NO. | | SCALE: 1:1 |
| | | | PROJ: | | SHEET 1 OF 1 | |

| ECN NO. | REV. | DATE. | DESCRIPTION. | CHANGE. | CHECK. | APPRO. |
|---------|------|-------|--------------|---------|--------|--------|
| | A | | NEW | | | |