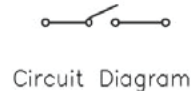
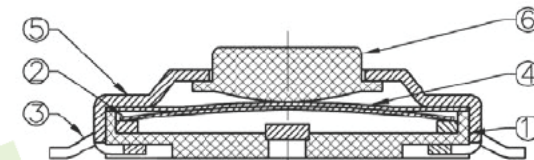
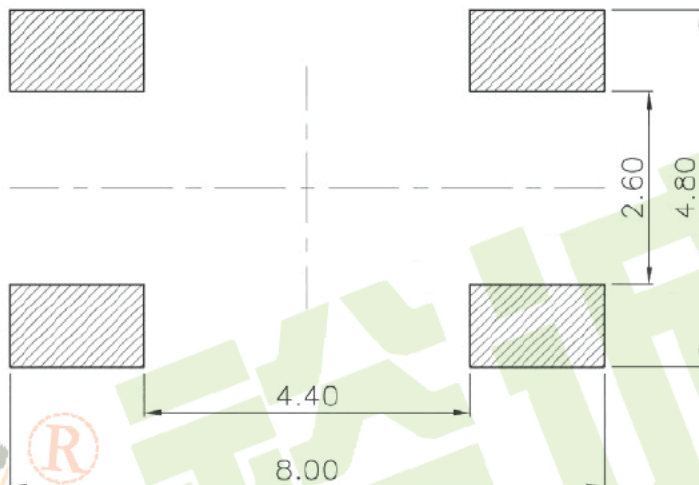
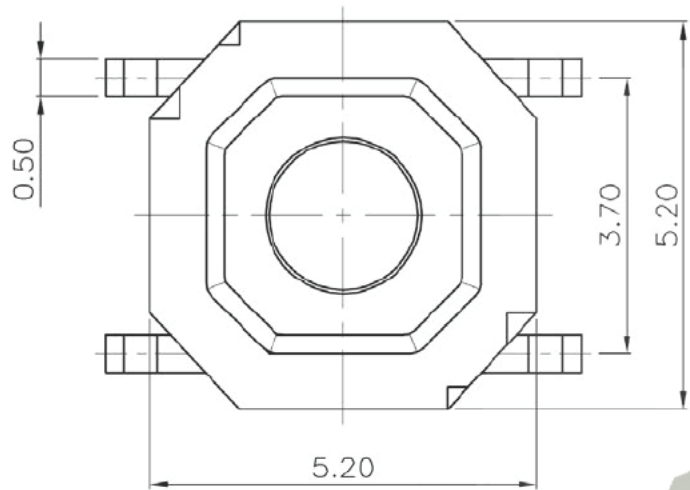


ROHS



Typical Specifications :
 1. Rating : DC 12V 50mA
 2. Life:100,000 Cycles Min.

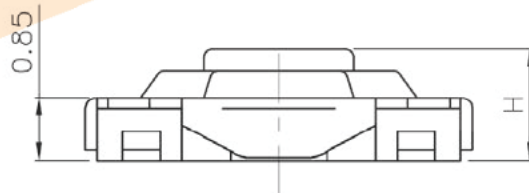
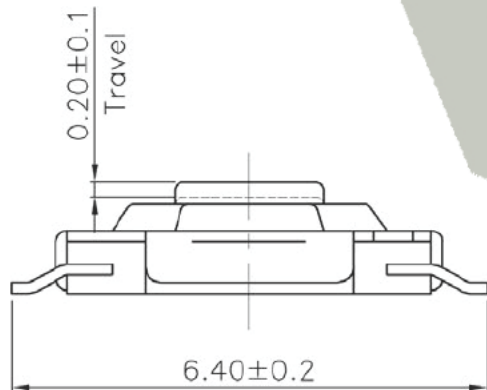


NO.1	
PART NO	H
A	1.50
B	1.60
C	1.70
D	2.00
F	3.00
G	4.30

NO.2	
PART NO	vigor
1	90±30
2	130±30
3	180±30
4	250±30
5	350±50

NO.3-NO.4	
PART NO	NOTE
01~99	SERIAL NUMBER

PCB Layout(Pattern side)



⑥	Knob	—	1	Brass	Yellow	—
⑤	Cover	—	1	SUS	Natural	—
④	Dust Cover	—	1	Kapton Film	Yellow	—
③	Terminal	—	4	Phosphor Bronze	Plating silver	—
②	Contact	—	1	F.Ag/SUS	Natural	—
①	Base	—	1	Nylon	Black	—
ITEM	PART NAME	TER'NO.	QTY.	MATERIAL	FINISHING	REMARK

APPROVALS _____ DATE _____
 DRAWN J.X.Zhang 2013/8/29

深圳市裕诚电子有限公司
 SHENZHEN YUCHENG ELECTRONICS CO.,LTD

CHECKED _____ WEBSITE www.ycelectron.com

APPROVALS _____ PART NO. M2-3938A

TOLERANCES ARE: 30~100: ±0.30 ANGLE UNIT: mm SCALE: 1:1 PROJ: 10~30: ±0.20 5~10: ±0.15 ~ 5: ±0.10 ±2' DRAWING NO. SHEET 1 OF 1

ECN NO.	REV.	DATE.	DESCRIPTION.	CHANGE.	CHECK.	APPRO.
—	A	—	NEW	—	—	—