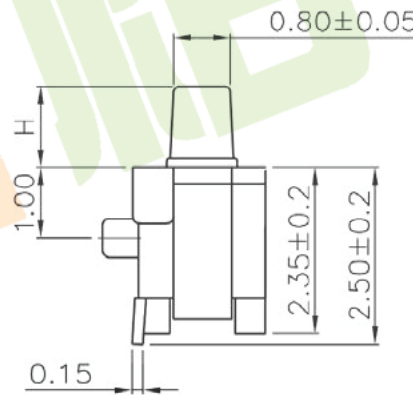
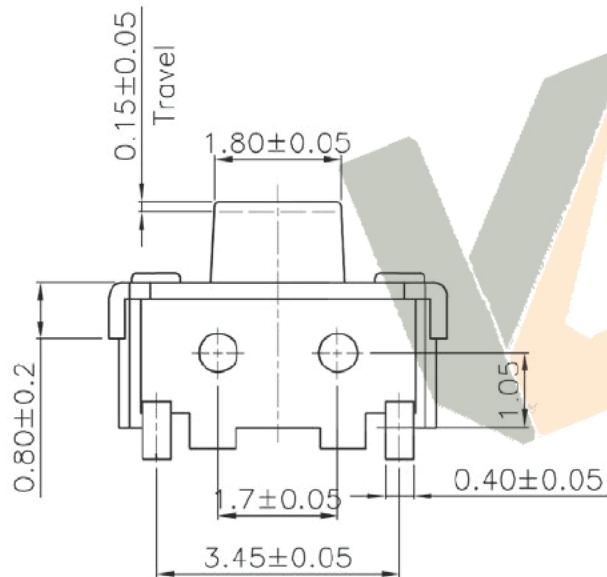


Circuit Diagram

PCB Layout (Pattern side)



NO.1	
PART NO	H
A	1.2
B	0.9
C	1.5

NO.2	
PART NO	vigor
1	90±30
2	130±30
3	180±30
4	250±30
5	350±50

NO.3	
PART NO	MATERIAL/QTY
S	SUS/1PC
C	C5210/1PC
D	SUS/2PCS
F	C5210/2PCS

NO.4-NO.5	
PART NO	NOTE
01~99	SERIAL NUMBER

⑤	Terminal	—	2	Phosphor Bronze	Plating silver	—
④	Contact	—	2	SUS	Natural	—
③	Base	—	1	LCP	White	—
②	Cover	—	1	Brass	Plating silver	—
①	Knob	—	1	PA46	Black	—
ITEM	PART NAME	TER'NO.	QTY.	MATERIAL	FINISHING	REMARK

APPROVALS		DATE	深圳市裕诚电子有限公司 SHENZHEN YUCHENG ELECTRONICS CO.,LTD					
DRAWN	J.X.Zhang	2013/9/13	WEBSITE	www.ycelectron.com				
CHECKED			PART NO.	M2-1891A				
APPROVALS			TOLERANCES ARE	30~100: ±0.30	10~30: ±0.20	ANGLE		
				5~10: ±0.15	~ 5: ±0.10	±2'		
			UNIT: mm	SCALE: 1:1	PROJ:	⊕		
ECN NO.	REV.	DATE.	DESCRIPTION.	CHANGE.	CHECK.	APPRO.	DRAWING NO.	SHEET 1 OF 1

ECN NO.	REV.	DATE.	DESCRIPTION.	CHANGE.	CHECK.	APPRO.
	A		NEW			