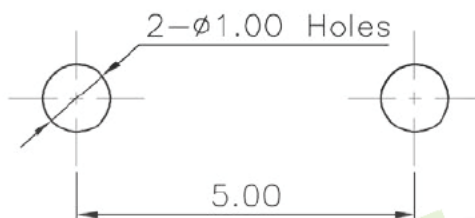
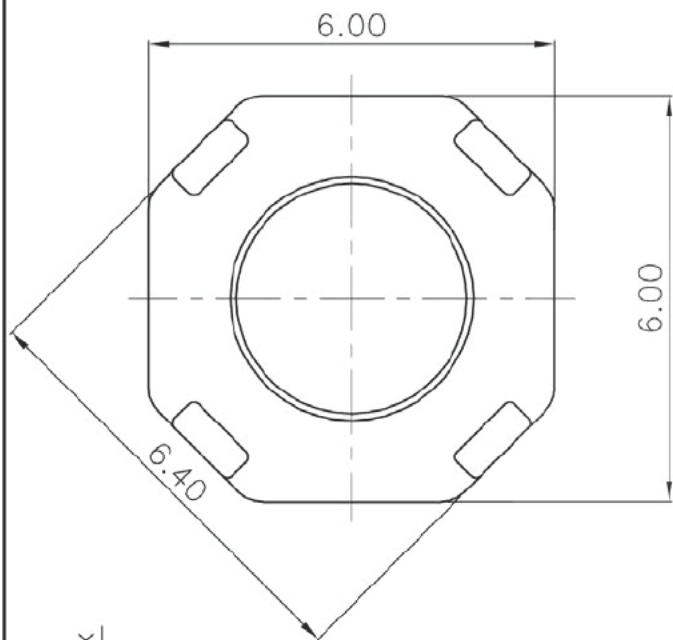
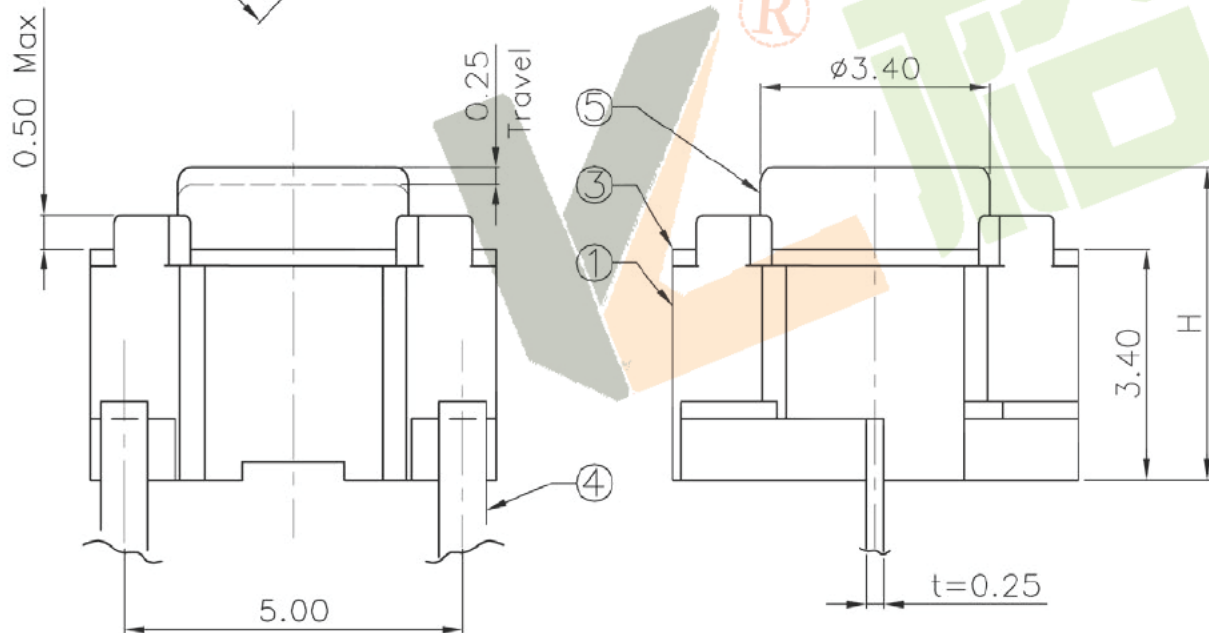
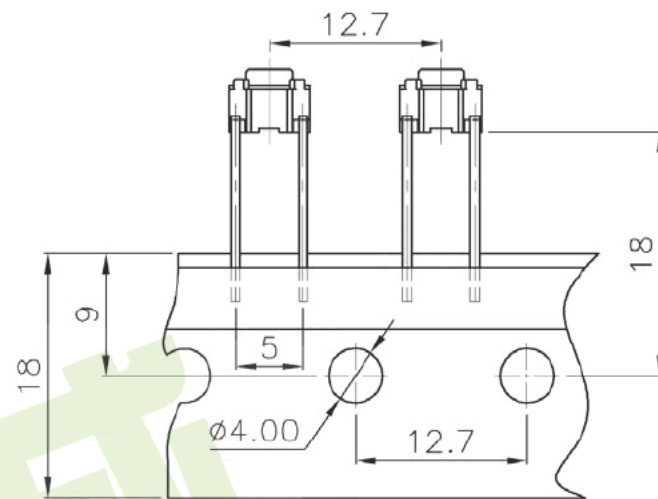


ROHS



PCB Layout (Pattern Side)



NO.1	
PART NO	H
A	4.3
C	5.0

NO.2	
PART NO	vigor
1	90 \pm 30
2	130 \pm 30
3	180 \pm 30
4	250 \pm 30
5	350 \pm 50

NO.3	
PART NO	MATERIAL/QTY
S	SUS/1PC
C	C5210/1PC
D	SUS/2PCS
F	C5210/2PCS

NO.4-NO.5	
PART NO	NOTE
01~99	SERIAL NUMBER

ITEM	PART NAME	TER'NO.	QTY.	MATERIAL	FINISHING	REMARK
⑤	Knob	—	1	Nylon	White	—
④	Cover	—	1	Brass	Natural	—
③	Terminal	—	2	Copper	Plating silver	—
②	Contact	—	1	F.Ag/C5210	Plating silver	—
①	Base	—	1	Nylon	Black	—

APPROVALS		DATE	深圳市裕诚电子有限公司 SHENZHEN YUCHENG ELECTRONICS CO.,LTD			
DRAWN	J.X.Zhang	2013/8/26				
CHECKED			WEBSITE	www.ycelectron.com		
APPROVALS			PART NO.	M2-3972D		
TOLERANCES ARE		30~12.1: \pm 0.30 10~30: \pm 0.20 5~10: \pm 0.15 ~ 5: \pm 0.10	ANGLE	UNIT: mm	SCALE: 1:1	PROJ:
ECN NO.	REV.	DATE.	DESCRIPTION.	CHANGE.	CHECK.	APPRO.

ECN NO.	REV.	DATE.	DESCRIPTION.	CHANGE.	CHECK.	APPRO.
	A		NEW			