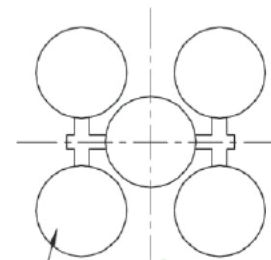
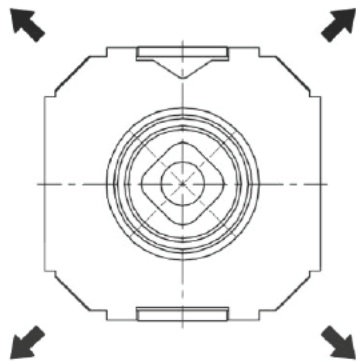
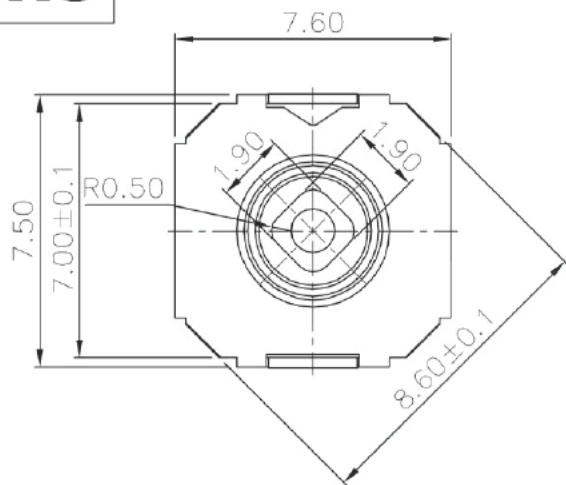
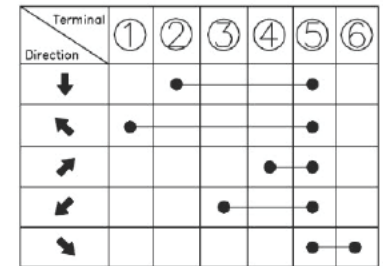


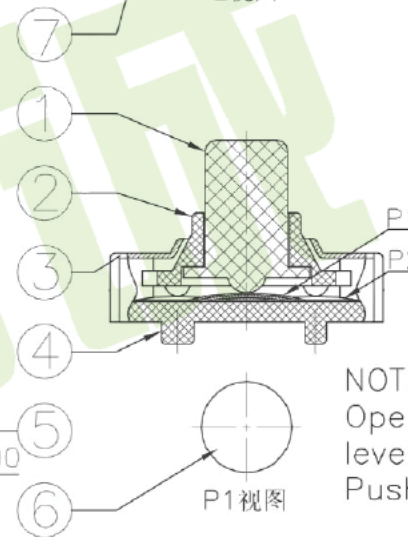
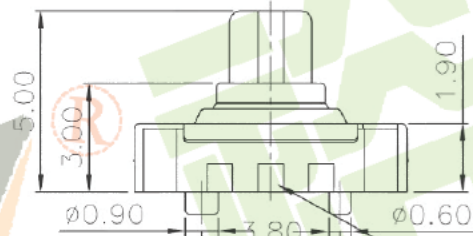
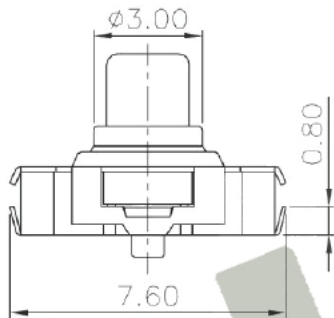
ROHS



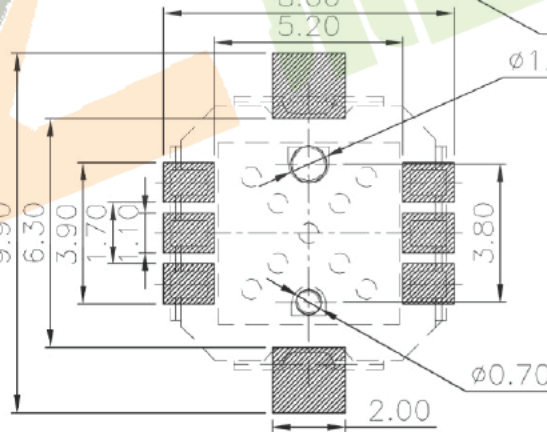
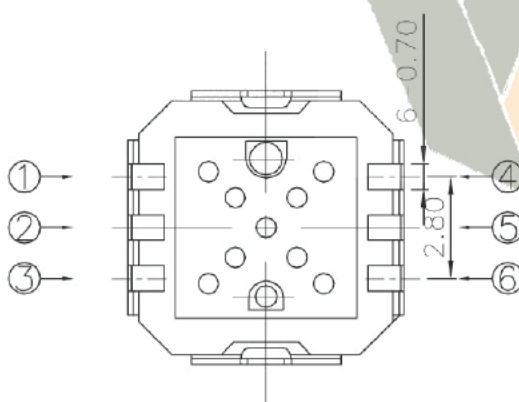
P2视图



Circuit Diagram



NOTE:
Operating Force:
lever portion 160 ± 35 gf
Push portion 250 ± 35 gf



PCB Layout(Pattern Side)

⑦	Contact 2	—	2	F.Ag/SUS	—	—
⑥	Contact 1	—	1	F.Ag/SUS	—	—
⑤	Terminal	—	6	Brass(0.15t)	Plating silver	—
④	Base	—	1	LCP	Black	—
③	Cover	—	1	SUS	—	—
②	Axle sleeve	—	1	LCP	Black	—
①	Keystoke	—	1	PA46	Black	—
ITEM	PART NAME	TER'NO.	QTY.	MATERIAL	FINISHING	REMARK

APPROVALS

DATE

DRAWN J.X.Zhang 2013/7/23

深圳市裕诚电子有限公司
SHENZHEN YUCHENG ELECTRONICS CO.,LTD

CHECKED

WEBSITE www.ycelectron.com

APPROVALS

PART NO. M1-5379S

TOLERANCES ARE

30~以下 ±0.30
10~30 ±0.20
5~10 ±0.15
~5 ±0.10

ANGLE

UNIT: mm

SCALE: 1:1

PROJ:

DRAWING NO.

SHEET

1 OF 1

ECN NO.	REV.	DATE.	DESCRIPTION.	CHANGE.	CHECK.	APPRO.
—	A	—	NEW	—	—	—