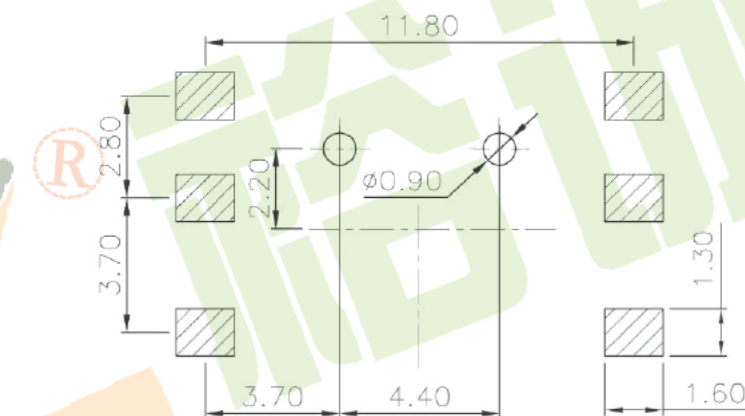
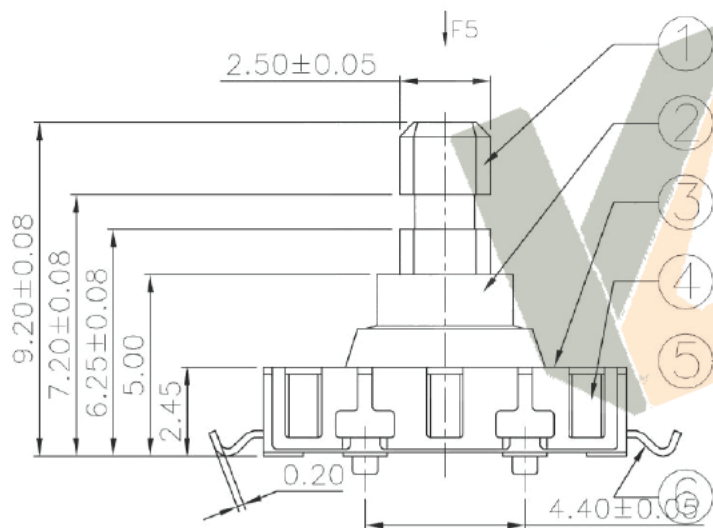
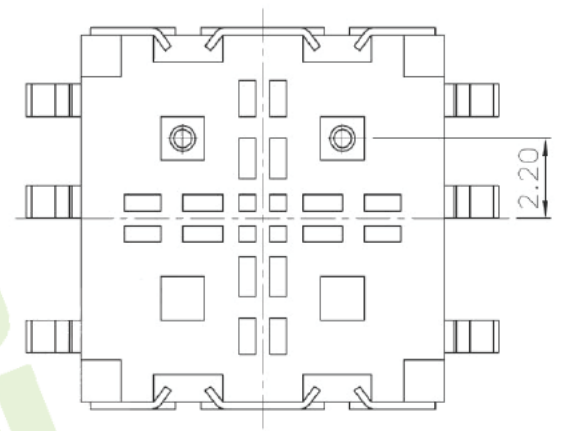
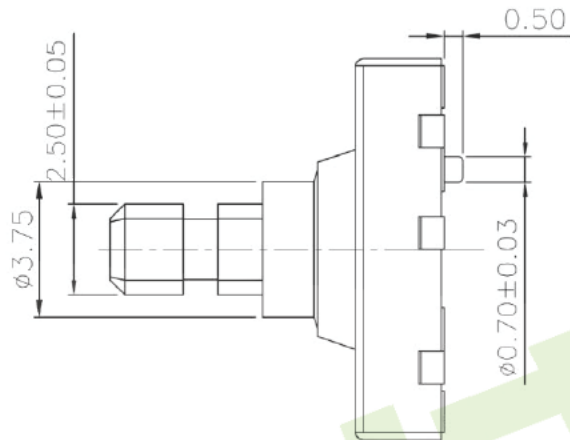
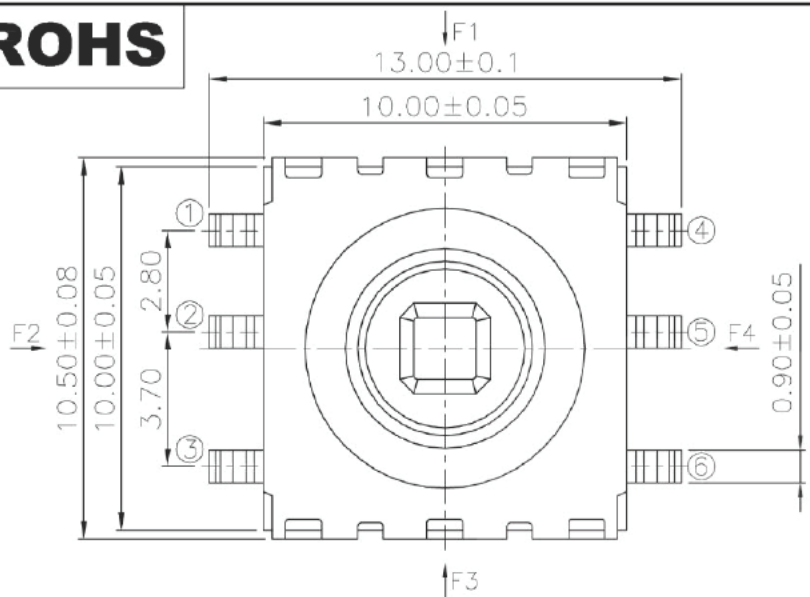
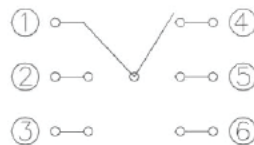
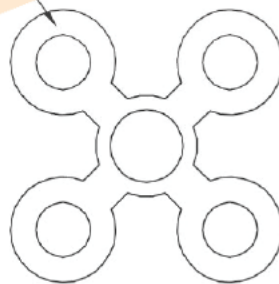


**ROHS**



	1	2	3	4	5	6
F1	○			○		
F2	○	○				
F3	○					○
F4	○				○	
F5	○		○			

PCB Layout (Pattern side)



Circuit Diagram

Operating force: 4-Direction 250±80gf  
Center push 250±80gf

⑦	Contact	—	5	F.Ag/SUS	—	—
⑥	Terminal	—	6	Brass(0.20t)	Plating silver	—
⑤	Contact gasket	—	1	F.Ag/Cu	—	—
④	Base	—	1	LCP	Black	—
③	Cover	—	1	SUS	—	—
②	Axle sleeve	—	1	LCP	Black	—
①	Keystoke	—	1	PA46	Black	—
ITEM	PART NAME	TER'NO.	QTY.	MATERIAL	FINISHING	REMARK

APPROVALS		DATE		深圳市裕诚电子有限公司 SHENZHEN YUCHENG ELECTRONICS CO., LTD		
DRAWN	J.X.Zhang	2013/7/15				
CHECKED				WEBSITE	www.ycelectron.com	
APPROVALS				PART NO.	M1-5372G	
TOLERANCES ARE		30~以下	±0.30	ANGLE	UNIT: mm	SCALE: 1:1
		10~30	±0.20			
		5~10	±0.15			
		~ 5	±0.10			
				±2'	DRAWING NO.	SHEET 1 OF 1

ECN NO.	REV.	DATE.	DESCRIPTION.	CHANGE.	CHECK.	APPRO.
	A		NEW			