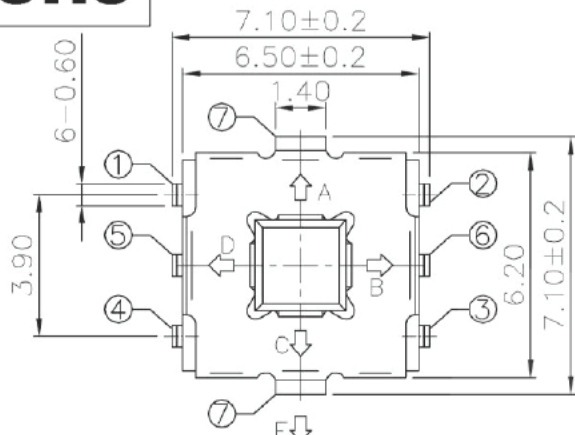


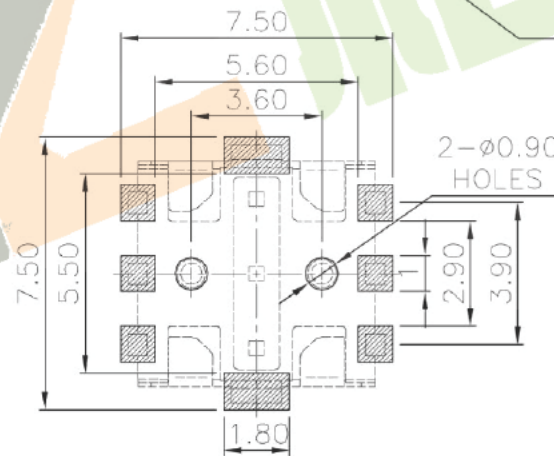
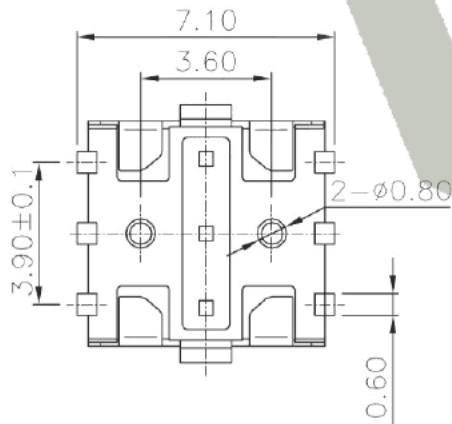
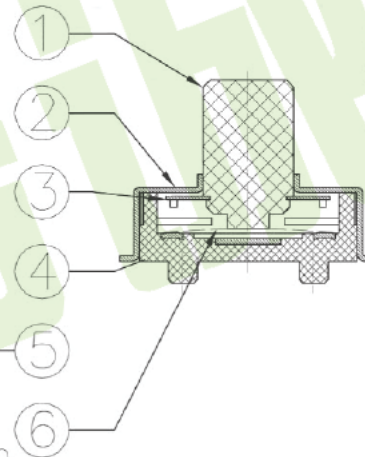
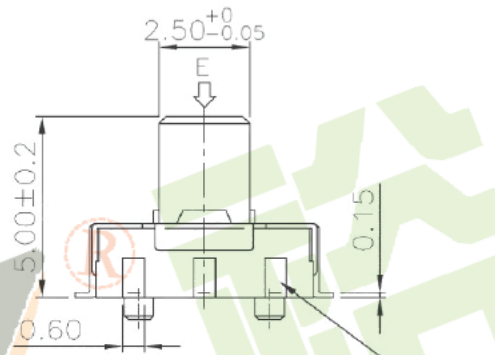
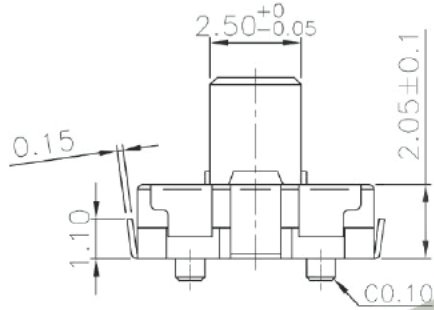
ROHS



Terminal	①	②	③	④	⑤	⑥	⑦
Direction							
A	●	●			●	●	●
B		●	●		●	●	●
C			●	●	●	●	●
D	●			●	●	●	●
E					●	●	

Circuit Diagram

NOTE:
 Operating Force:
 lever portion 140 ± 50 gf
 Push portion 220 ± 80 gf
 Travel: 4-direction 5°±2°
 center push 0.2±0.1 mm



PCB Layout (Pattern side)

⑥	Contact 2	—	2	C5210R	Plating silver	—
⑤	Terminal	—	6	Brass(0.15t)	Plating silver	—
④	Base	—	1	PA6T	Black	—
③	Contact 1	—	1	F.Ag/SUS	—	—
②	Cover	—	1	C5191	—	—
①	Keystoke	—	1	PA6T	Black	—
ITEM	PART NAME	TER'NO.	QTY.	MATERIAL	FINISHING	REMARK

APPROVALS

DATE

深圳市裕诚电子有限公司
SHENZHEN YUCHENG ELECTRONICS CO., LTD

DRAWN

J.X.Zhang

2013/7/24

CHECKED

WEBSITE

www.ycelectron.com

APPROVALS

PART NO.

M1-5365S

TOLERANCES ARE

30~以下	±0.30	ANGLE
10~30	±0.20	
5~10	±0.15	
~ 5	±0.10	

UNIT: mm

SCALE: 1:1

PROJ:

ECN NO.	REV.	DATE.
—	A	—

DESCRIPTION.

CHANGE.

CHECK.

APPRO.

DRAWING NO.

SHEET 1 OF 1