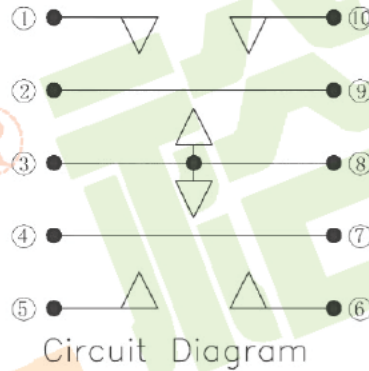
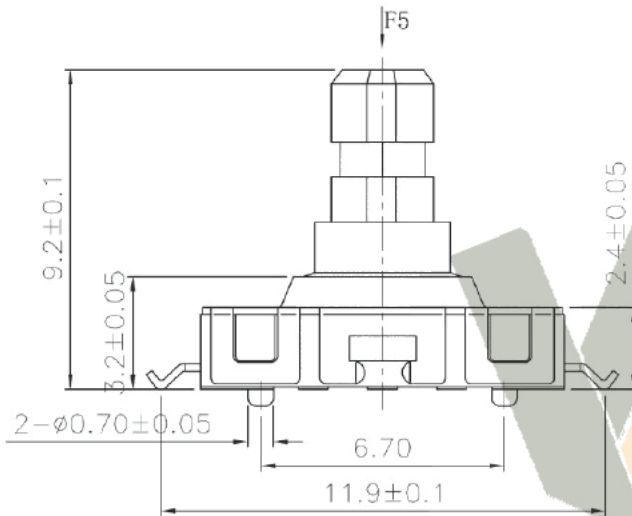
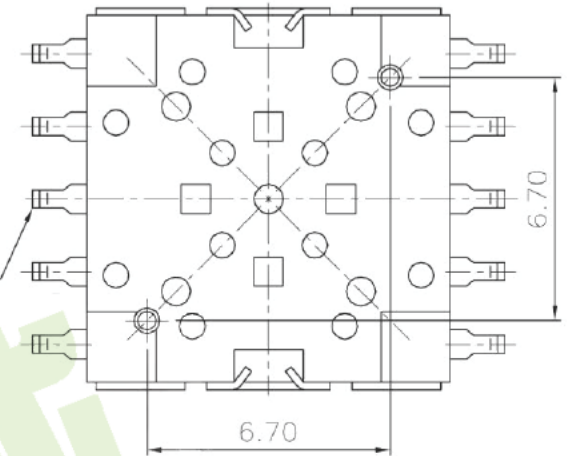
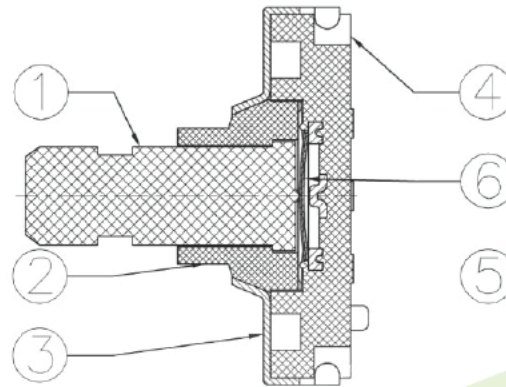
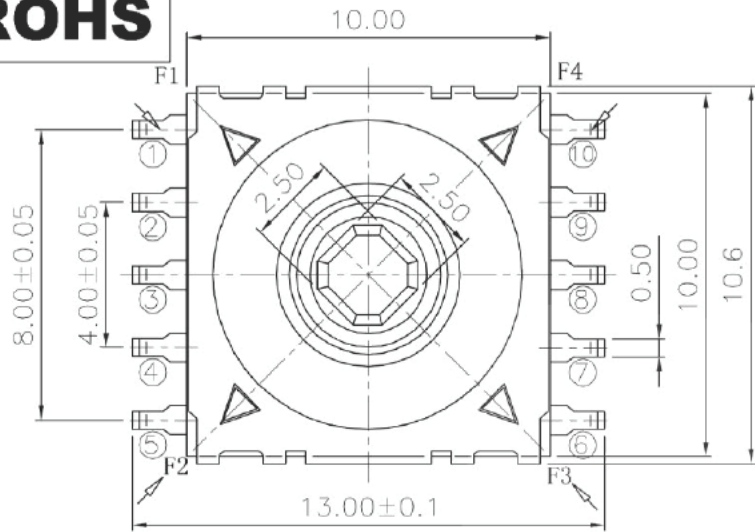


**ROHS**



	1	2	3	4	5	6	7	8	9	10
F1	○	○							○	
F2				○	○		○			
F3				○		○	○			
F4		○							○	○
F5		○	○	○		○	○	○		

NOTE:  
Operating Force:  
lever portion 4-180 ± 50 gf  
Push portion 250 ± 50 gf

PCB Layout(Pattern side)

ITEM	PART NAME	TER'NO.	QTY.	MATERIAL	FINISHING	REMARK
⑥	Contact	—	6	F.Ag/SUS	Natural	——
⑤	Terminal	—	10	Brass(0.20t)	Plating silver	——
④	Base	—	1	LCP	Black	——
③	Cover	—	1	SUS	Natural	——
②	Axle sleeve	—	1	LCP	Black	——
①	Keystoke	—	1	LCP	Black	——

APPROVALS		DATE		深圳市裕诚电子有限公司	
DRAWN	J.X.Zhang	2013/8/22		SHENZHEN YUCHENG ELECTRONICS CO.,LTD	
CHECKED				WEBSITE	www.ycelectron.com
APPROVALS				PART NO.	M1-5361H
TOLERANCES ARE		30~以下	±0.30	ANGLE	UNIT: mm
		10~30	±0.20		SCALE: 1:1
		5~10	±0.15		PROJ:
		~ 5	±0.10		DRAWING NO.
					SHEET 1 OF 1

ECN NO.	REV.	DATE.	DESCRIPTION.	CHANGE.	CHECK.	APPRO.
	A		NEW			