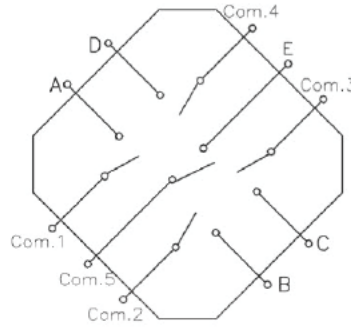
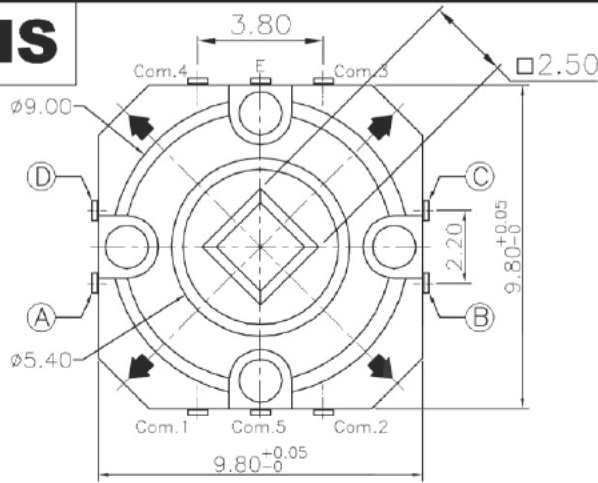
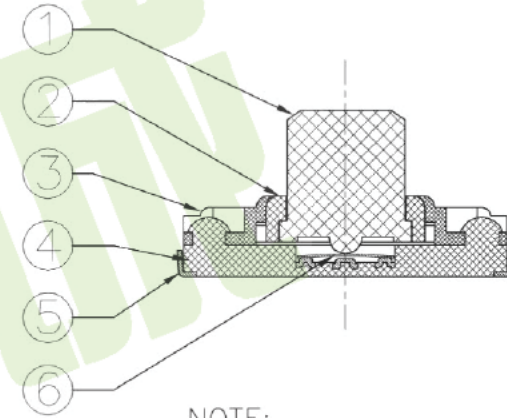
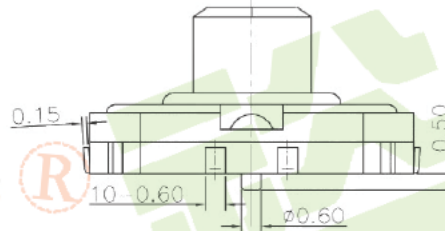
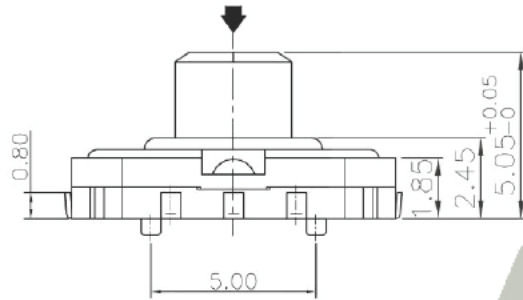


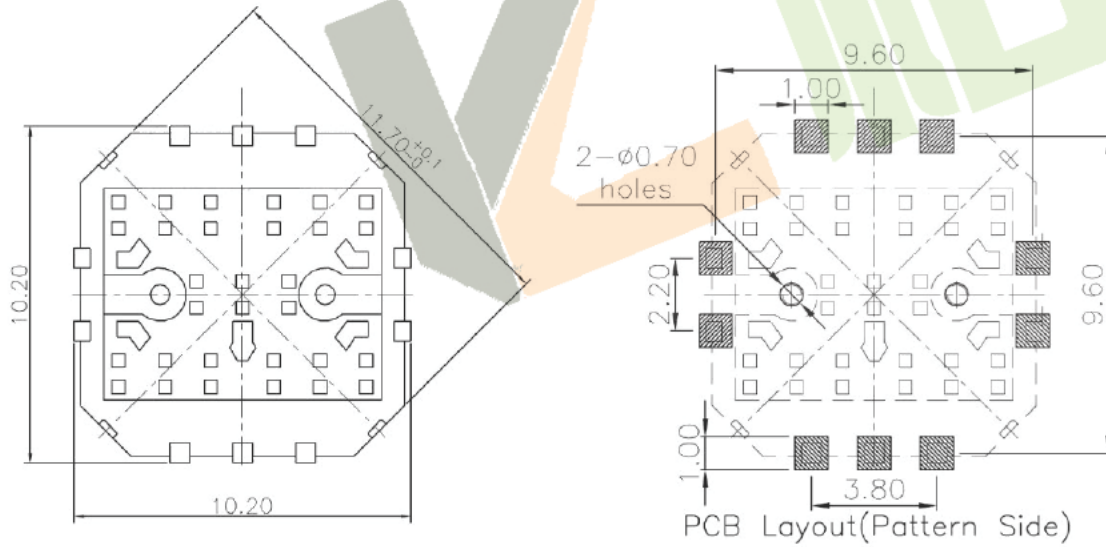
ROHS



Circuit Diagram



NOTE:
Operating Force:
4-direction 160 ± 35 gf
center push 250 ± 35 gf



PCB Layout(Pattern Side)

⑦	Dust cover	—	1	Kapton film	Yellow	—
⑥	Contact	—	5	F.Ag/SUS	—	—
⑤	Terminal	—	10	Brass(0.15t)	Plating silver	—
④	Base	—	1	LCP	Black	—
③	Cover	—	1	LCP	Black	—
②	Axle sleeve	—	1	LCP	Black	—
①	Keystoke	—	1	PA46	Black	—
ITEM	PART NAME	TER'NO.	QTY.	MATERIAL	FINISHING	REMARK

APPROVALS		DATE		深圳市裕诚电子有限公司 SHENZHEN YUCHENG ELECTRONICS CO.,LTD		
DRAWN	J.X.Zhang	2013/7/30				
CHECKED				WEBSITE	www.ycelectron.com	
APPROVALS				PART NO.	M1-5356S	
TOLERANCES ARE		30~以下	±0.30	ANGLE	UNIT: mm	SCALE: 1:1
		10~30	±0.20			
		5~10	±0.15			
		~ 5	±0.10			
				±2'	DRAWING NO.	SHEET 1 OF 1
ECN NO.	REV.	DATE.	DESCRIPTION.	CHANGE.		

—	A	—	NEW	—	—	—
ECN NO.	REV.	DATE.	DESCRIPTION.	CHANGE.	CHECK.	APPRO.