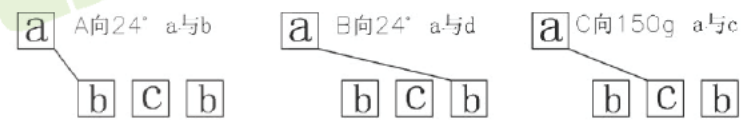
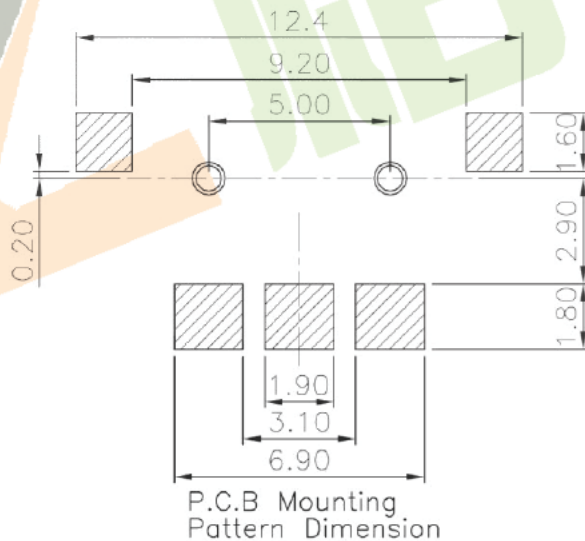
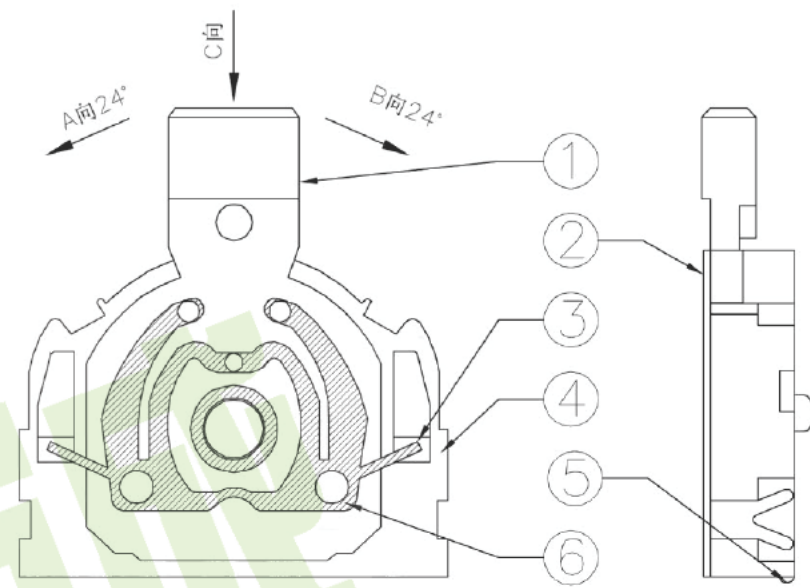
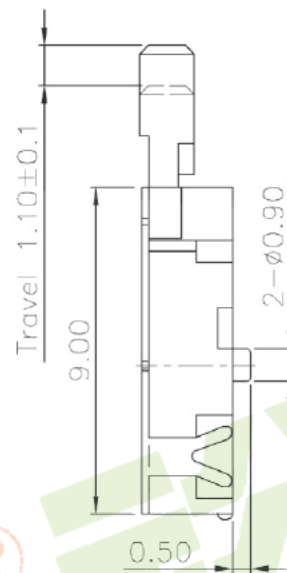
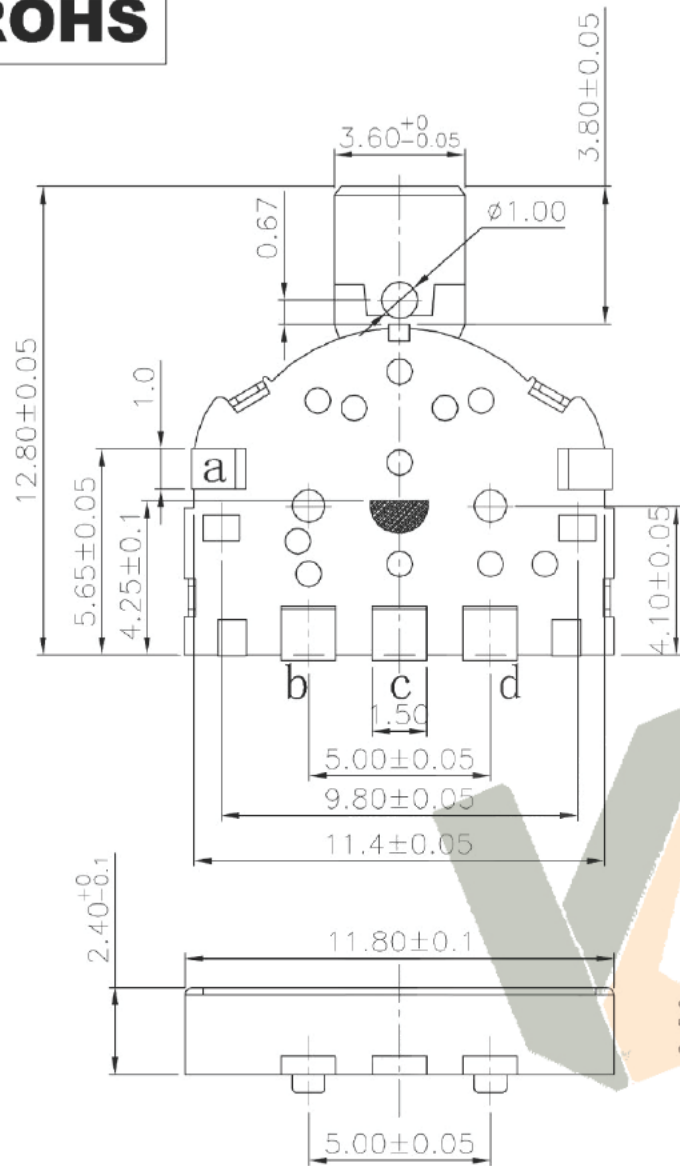


ROHS



Circuit Diagram

NOTE:
Operating Force:
lever portion 80 ± 50 gf
Push portion 205 ± 50 gf

⑥	Contact	—	1	F.Ag/Brass	—	—
⑤	Terminal	—	5	Brass(0.15t)	Plating silver	—
④	Base	—	1	LCP	Black	—
③	Spring	—	1	SUS	—	—
②	Cover	—	1	SUS	—	—
①	Keystoke	—	1	PA46	Black	—
ITEM	PART NAME	TER'NO.	QTY.	MATERIAL	FINISHING	REMARK

APPROVALS		DATE		深圳市裕诚电子有限公司 SHENZHEN YUCHENG ELECTRONICS CO.,LTD															
DRAWN	J.X.Zhang	2013/8/1		WEBSITE	www.ycelectron.com														
CHECKED				PART NO.	M1-5225G														
APPROVALS				TOLERANCES ARE	<table border="1"> <tr> <td>30~以下</td> <td>±0.30</td> <td rowspan="4">ANGLE</td> <td rowspan="4">UNIT: mm</td> <td rowspan="4">SCALE: 1:1</td> <td rowspan="4">PROJ: </td> </tr> <tr> <td>10~30</td> <td>±0.20</td> </tr> <tr> <td>5~10</td> <td>±0.15</td> </tr> <tr> <td>~ 5</td> <td>±0.10</td> </tr> </table>	30~以下	±0.30	ANGLE	UNIT: mm	SCALE: 1:1	PROJ:	10~30	±0.20	5~10	±0.15	~ 5	±0.10	DRAWING NO.	SHEET 1 OF 1
30~以下	±0.30	ANGLE	UNIT: mm	SCALE: 1:1	PROJ:														
10~30	±0.20																		
5~10	±0.15																		
~ 5	±0.10																		

ECN NO.	REV.	DATE.	DESCRIPTION.	CHANGE.	CHECK.	APPRO.
	A		NEW			