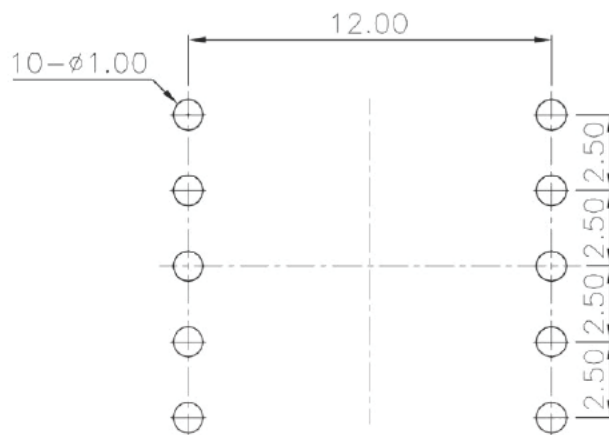
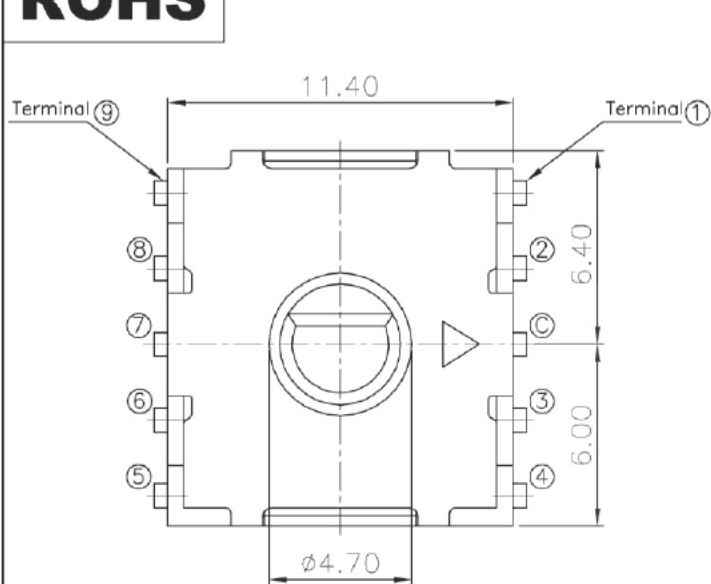
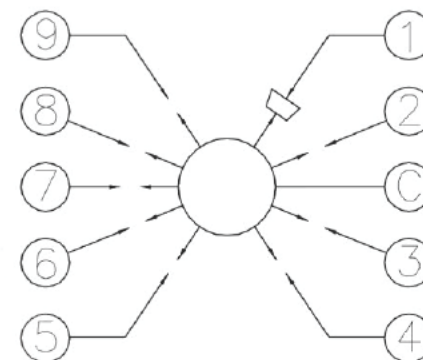


ROHS

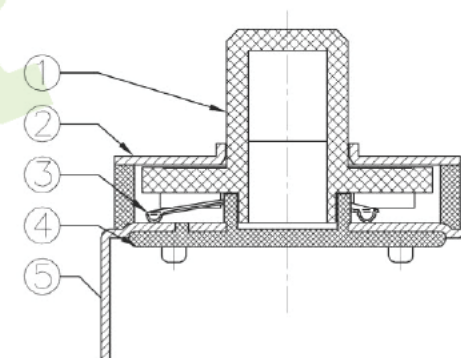


P.C.B Mounting Pattern Dimension

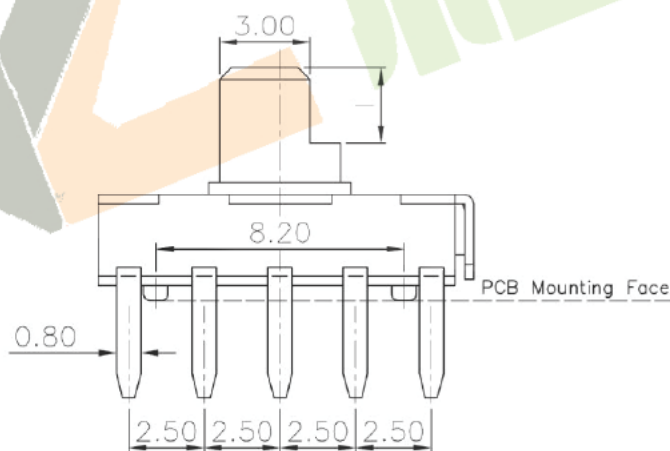
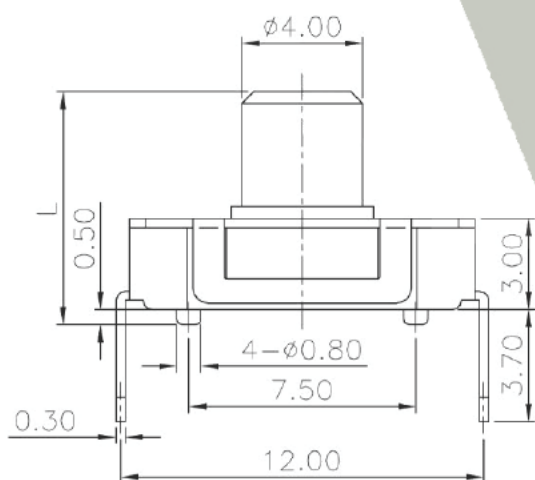


Circuit Diagram

MODEL	L	l	Operating Force
1521DA-01	7.7mm	2.5mm	100±50gf
1521DA-02	9.8mm	4.1mm	
1521DA-03	7.7mm	2.5mm	200±60gf
1521DA-04	9.8mm	4.1mm	



Product Structure Diagram



⑤	Terminal	—	10	Brass(0.15t)	Plating silver	—
④	Base	—	1	Nylon	Black	—
③	Contact	—	1	SUS	Plating silver	—
②	Cover	—	1	SUS	Natural	—
①	Keystoke	—	1	Nylon	Black	—
ITEM	PART NAME	TER'NO.	QTY.	MATERIAL	FINISHING	REMARK

APPROVALS			DATE	深圳市裕诚电子有限公司 SHENZHEN YUCHENG ELECTRONICS CO., LTD		
DRAWN	J.X.Zhang		2013/8/19	WEBSITE	www.ycelectron.com	
CHECKED				PART NO.	M1-5223G	
APPROVALS				TOLERANCES ARE	ANGLE	UNIT: mm SCALE: 1:1 PROJ:
				30~以下 ±0.30	±2'	DRAWING NO. SHEET 1 OF 1
				10~30 ±0.20		
				5~10 ±0.15		
				~ 5 ±0.10		

ECN NO.	REV.	DATE.	DESCRIPTION.	CHANGE.	CHECK.	APPRO.
	A		NEW			